

Trim & Corner Installation Guide

Stealth Corners

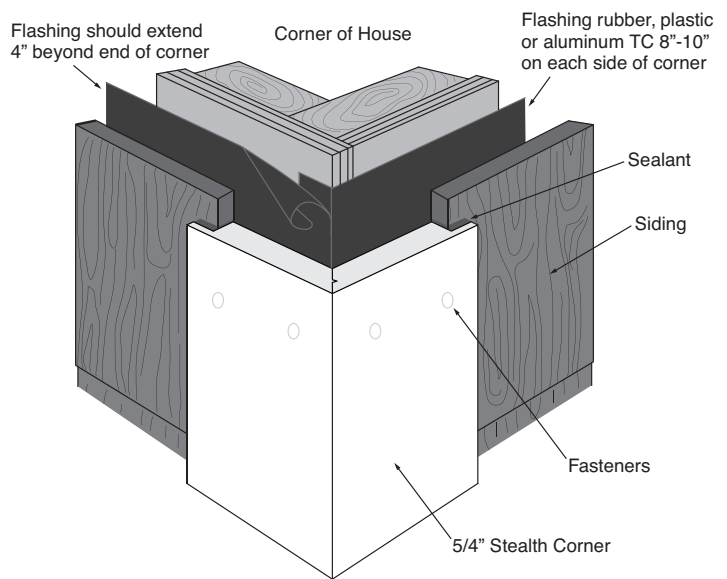
The Stealth Corner can accept MOST siding products and works especially well with fiber cement and vinyl siding, including foamed-back or insulated, as well as composite sidings and cedar shakes.

Installation Steps

- Before installing your Stealth Corner, be sure the corner of the house is properly prepared to accept it. The corner of the building should be square, true and plumb and covered with some form of house wrap. Aesthetically, there may be a need to flash in the pocket of the "J" to cover the printing of the house wrap that may be exposed if the siding is held back. This can be accomplished by taking some left over trim coil and bending a simple $5/8" \times 1\ 1/2"$ "L" the length of the corner and inserting it into the "J" pocket. In those rare cases where the house wrap is not used, flash the corner with aluminum trim coil or asphalt felt. Cover the entire corner lapping the top piece over the bottom piece. The flashing should extend 4" minimum beyond the outside edges of the corner.
- Before installing the corner, strike a line on the wall where your siding should terminate.
- If using fiber cement or a wood composite, caulk the ends of the siding after it has been installed.
- For other sidings, run a bead of sealant down the back side of both corner edges just outside the pocket.
- Fasten the corner the same way you would Valor trim, making sure not to nail through the overhang that conceals your siding. Although this overhang piece is $1/4"$ thick, it may break if struck with a hammer. Place the top of the Stealth Corner $1/8"$ from the underside of the eave. Use stainless steel 8d annular or spiral fasteners designed for wood trim and siding. Fasteners with thin shanks, blunt points, and full round heads are preferred. The fastener must be long enough to penetrate the substrate a minimum of $1\ 1/4"$.
- Place nails a maximum of 16" on center. (12" preferred)
- Install siding in accordance with the manufacturer's recommendations.

Stealth Window Surrounds

Like the Stealth Corner, the Stealth Window Surround features either a $3/4"$ by $3/4"$ pocket or a $1"$ by $1"$ pocket to accept most siding products. Available in nominal 4" and 6" boards, the Stealth Window Surrounds can be purchased either with or without a $1\ 7/8"$ long x $3/16"$ deep nailing slot cut into the bottom of the trim piece to accept the flange on a new construction window. The Standard Stealth Window Surrounds do not have this nail flange cut out and is used primarily for remodeling jobs where the perimeter trim is being replaced. A third option for your window surround trim is our trim with nail flange slot. This is typically used as the header piece of a window surround or in applications where the builder prefers to butt the siding up against the Valor Window Trim.



Trim & Corner Installation Guide

Figure A

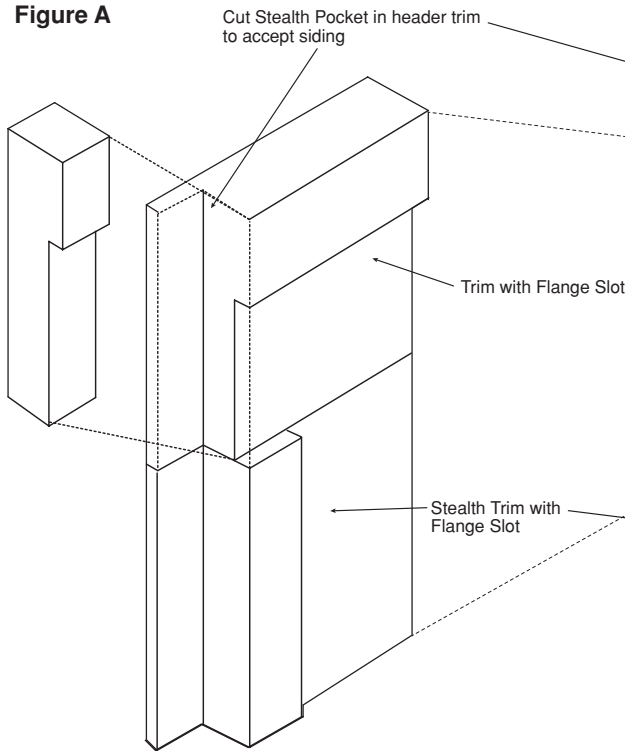


Figure B

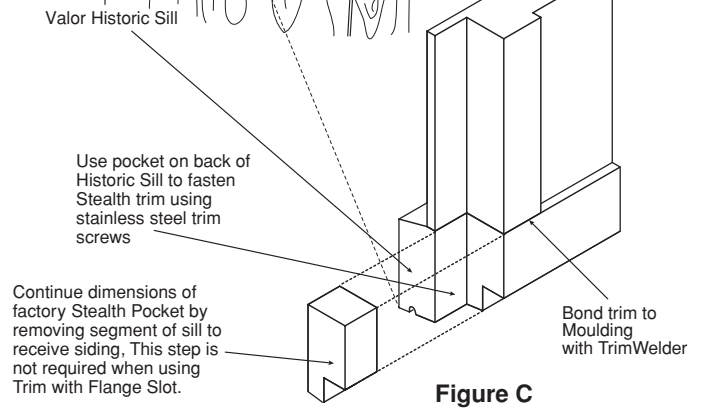
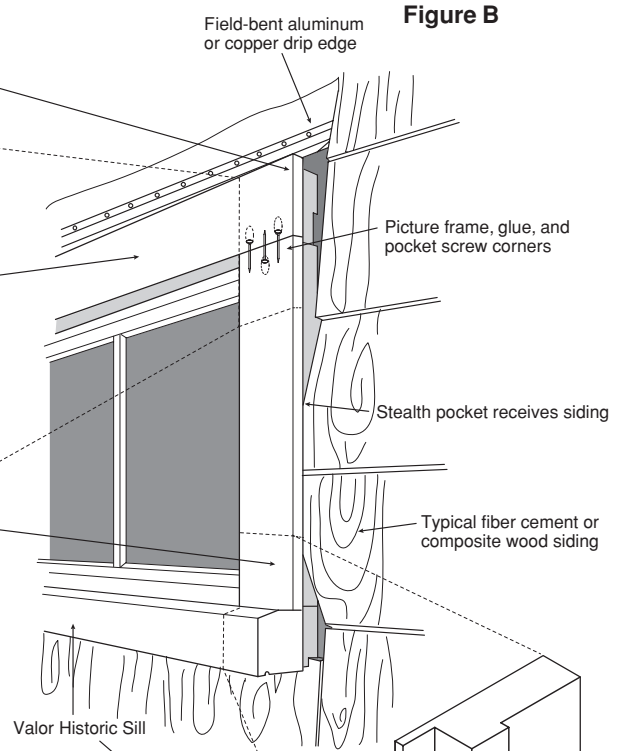


Figure C