

RETRACTABLE PATIO SHADE AWNING

Patio Awning Guide-8ft. x10ft. (Proj. X Width)

Model: APR-100810***/APR-60020810 (version: GEN2-V1)

WARNING:

DO NOT CUT THE PLASTIC ZIP TIES ON THE AWNING EXTENSION ARMS UNTIL INSTRUCTED TO DO SO IN THIS GUIDE. THE FOLDING ARMS ARE UNDER SPRING TENSION AND SHOULD NOT BE CUT UNTIL THE AWNING IS FULLY ASSEMBLED AND INSTALLED ON THE WALL.

1. INTRODUCTION:

Thank you for purchasing a Retractable Shade Awning. Before proceeding, please ensure that all the parts are in the box, as listed below:

Master Carton Contents:

1-Box	labeled EXTENSION ARMS
1-Box	labeled LEFT WALL BRACKET ASSEMBLY
1-Box	labeled RIGHT WALL BRACKET ASSEMBLY
1-Box	labeled GEAR MECH. & Support Bracket
1-EA	150 cm Roller Tube, w/Square Drive
1-EA	150 cm Roller Tube, w/Round Drive
1-EA	50 mm Roller Tube Joiner
1-EA	150 cm Valance Tube, drilled left
1-EA	150 cm Valance Tube, drilled right
1-EA	50 mm Valance Tube Joiner, drilled
3-PCS	312cm Plastic Spline (coiled)
1-BAG	Bubble Bag, labeled MISC. PARTS, includes: -2-Wrist Assemblies -2-Position Poles -Level -6-Spline Stops -Right & Left Valance Tube End Caps -2-Bags of 4-pcs 1/2" x3" Sleeve Anchors
1-EA	160 cm Crank Handle

In the event that there is ANY part missing or damaged, please **DO NOT RETURN THE PRODUCT TO YOUR RETAILER**. By returning the product to your retailer we can not assist you in getting your awning properly installed. Call our TOLL FREE Customer Service Hotline at 1-888-875-4844 for parts or replacement of parts that may have been damaged when shipped.

You may also go to our website at www.valor.ca in the Valor Shade/Patio Awning section for all assembly and installation instructions, set up, adjustment, and troubleshooting instructions. There you will be able to see common problems and how to rectify them usually with a simple adjustment. You may also use this section to email us your questions, and during business hours between 9:00 AM and 4:00 PM EST you will be able to connect with a customer service representative for assistance.

2. PRODUCT:

The Valor Shade Awning is a unique program that allows you to order awnings that are modular in design making them easier to transport . The product is offered with your choice of several available patterns (sold separately). The product is factory configured with Left Side operation (when facing the house), but can be converted to right side operation by following the steps outlined in this guide.

IMPORTANT WARNING:

Your new awning is intended as protection against the sun only. It is not to be used during periods of strong wind, rain, hail, or snow. The warranty will not cover use during these periods. Bird droppings, pine needles, and various air born materials that may settle on your awning; awning fabric should be cleaned using water and a light soap. No abrasive cleansers or harsh chemicals should be used on the fabric. Damage to the Awning (including the fabric) from any foreign material is not covered under our warranty.

3. INSTALLATION TOOLS REQUIRED:

Drill	Philips screwdriver
1/2" Carbide (Masonry) drill bit	Level
5/8" Socket, Wrench or Adjustable Wrench	Plumb line
18mm Wrench or Adjustable Wrench	Tape Measure
Metric Allen keys 5mm, 6mm, 8mm, 10mm	Square
9/16" Socket, Wrench or Adjustable wrench	Pencil
Hammer/Mallet	

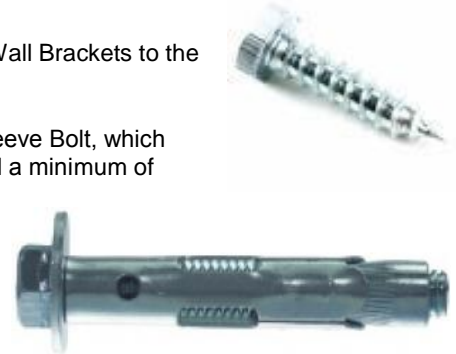
4. ADDITIONAL MATERIAL / HARDWARE REQUIREMENTS:

In the event that a Header board is required, you will require a 2x8" the same total length of the awning.

Go to "House Preparation" to determine if a Header Board is required for your installation.

The following outlines the additional mounting hardware that will be required for the various header mounting installation methods.

- 8 pieces of a 1/2" x 2" Wood Screw & Washer to mount the Awning Wall Brackets to the Header board.
- **OR**, for superior holding power you may choose to use a 1/2" x 4" Sleeve Bolt, which will require drilling a 1/2" hole through the header and continue to drill a minimum of another 2-3/4" depth with a carbide (masonry) drill bit. This will essentially use the header board to provide the level surface for the awning but will use the greater strength of the masonry wall for holding power. You may contact our office for technical information pertaining to available fasteners. (Sleeve Bolt show to the right)



If mounting the Header on Brick, Stone or Concrete:

One of the following; expansion bolts with a minimum 3-1/4" depth **OR** 3/8" lag bolts a minimum length of 3-1/4", with lag shields (which may require a 5/8" hole drilled in the brick).

For either of these options, you will need enough to install on the top and bottom of the header with maximum spacing of 24" or less.

If mounting the Header on Solid Wood Siding or Stucco:

You will need to locate the studs and locate 3/8" Lag Bolts long enough to penetrate the Header board, siding, any insulation and grab at least 2" of the wall studs. ***Due to the weight of the awning and the forces applied to it when operating it is critical that the lag bolts be installed into studs.***

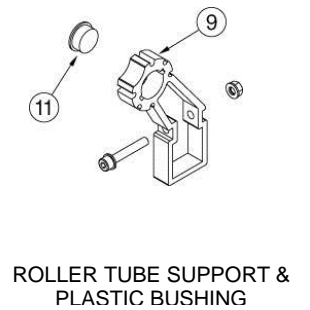
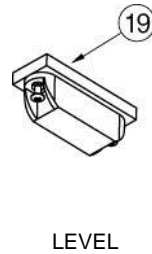
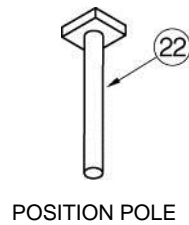
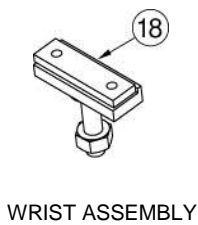
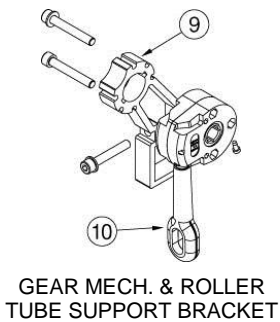
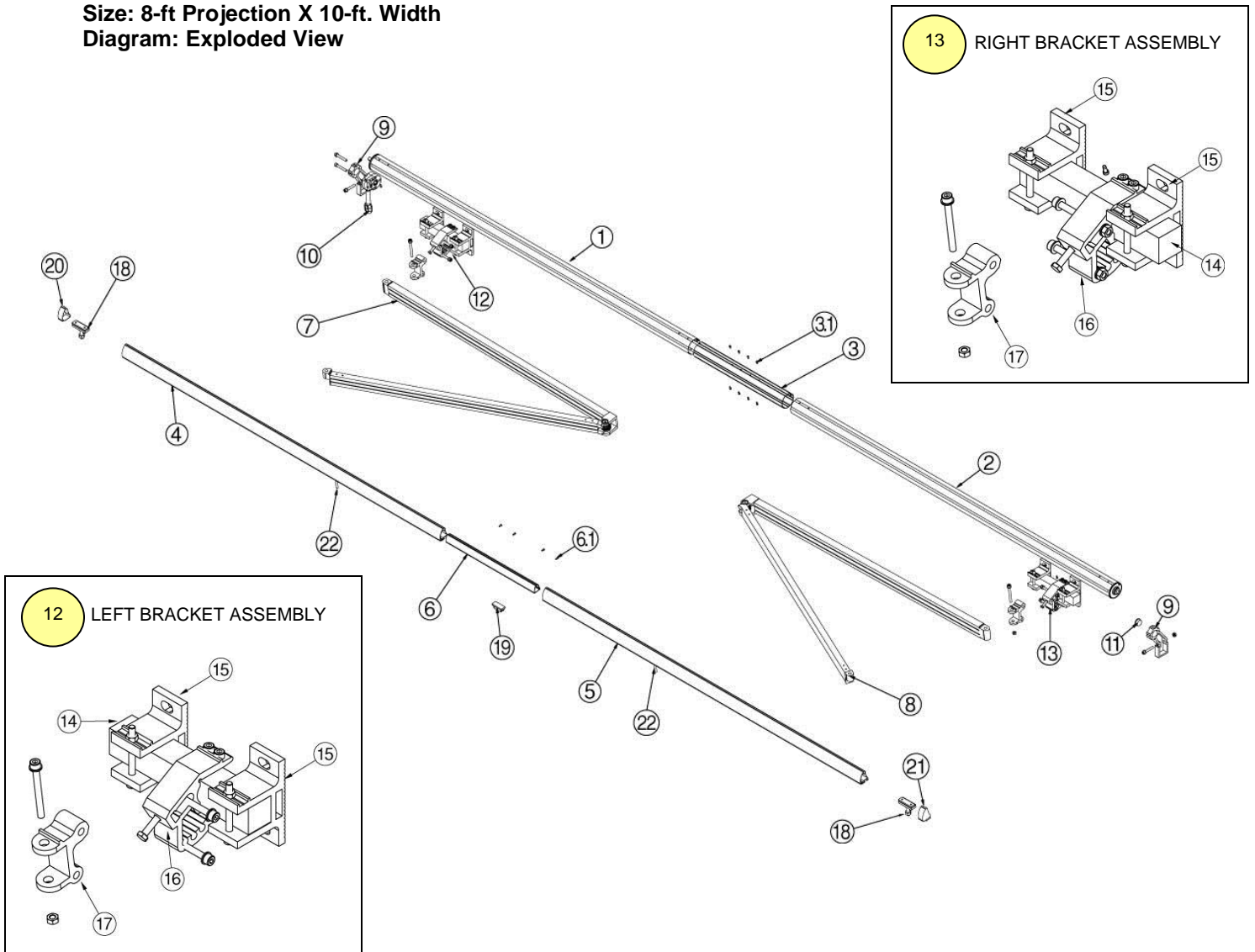
You will need enough lag bolts to install on the top and bottom of the header with maximum spacing of 24" or less.

For technical information regarding fasteners, go to www.uncanfast.com

5. RETRACTABLE AWNING SCHEMATIC DRAWING

Size: 8-ft Projection X 10-ft. Width

Diagram: Exploded View

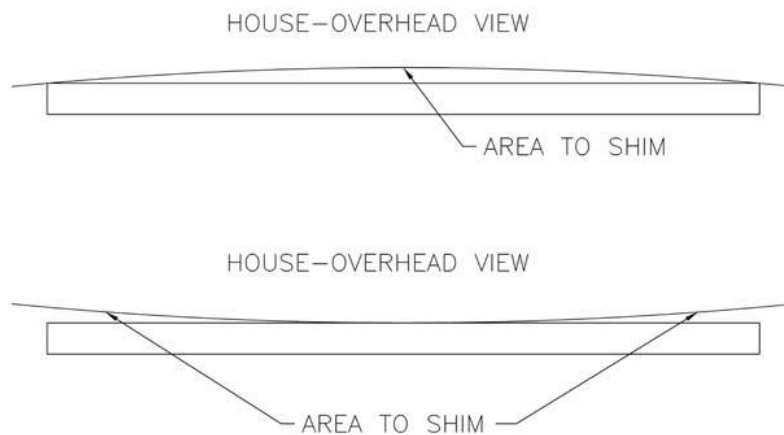


6. PARTS LIST

Item	Part No.	Description	Qty
1		Roller Tube w/Square Drive Tube End	1
2		Roller Tube w/Round Drive Tube End	1
3		Roller Tube Joiner	1
3.1		Roller Tube Joiner Fasteners (attached)	8
4		Valance Tube-LEFT Side	1
5		Valance Tube-RIGHT Side	1
6		Valance Tube Joiner	1
6.1		Valance Tube Joiner Fasteners (attached)	4
7		Extension Arm-LEFT Side	1
8		Extension Arm-RIGHT Side	1
9		Roller Tube Support	2
10		Gear Mechanism	1
11		Plastic Roller Tube Bushing	1
12		LEFT Bracket Assembly Sub-components of Assembly:	1
14		• 40x40x240mm Torsion Bar (w/plastic end caps)	1
15		• Wall Brackets(w/hardware)	2
16		• Extension Arm Shoulder Bracket (w/hardware)	1
17		• Extension Arm Pivot Mount (w/hardware)	1
13		RIGHT Bracket Assembly Sub-components of Assembly:	1
14		• 40x40x240mm Torsion Bar (w/plastic end caps)	1
15		• Wall Brackets(w/hardware)	2
16		• Extension Arm Shoulder Bracket (w/hardware)	1
17		• Extension Arm Pivot Mount (w/hardware)	1
18		Wrist Pin Assembly (w/hardware)	2
19		Valance Level (w/hardware)	1
20		Valance Tube End Cap-LEFT End	1
21		Valance Tube End Cap-RIGHT End	1
22		Position Poles	2
23		Manual Crank Handle (not shown in diagram)	1
24		Spline for Fabric (not shown in diagram)	3
25		½"x 3" Sleeve Anchor Bolts (not shown in diagram)	8
26		Spline Channel Plugs (not shown in diagram)	6

7. HOUSE PREPARATION:

Ensure that a smooth area exists for mounting the awning free from any obstructions, light fixtures, downspouts, etc. Sight the wall and use a plumb line across the wall surface to see if there are any significant bows or sweeps in the wall. In the event the wall surface is either a very rough brick which might keep the wall mounting brackets from mounting level, or if the wall surface is very uneven a Header Board should be installed.



If you decide its best to install a Header Board, we recommend a 2x8" board of spruce or fir material, we do not recommend cedar unless you choose to lag through the header and into a solid surface such as brick, as this wood is too soft and may not hold fasteners as well as a harder wood.

Be sure to add shims in the gaps behind the Header Board so it will continue to lay straight on the wall as its mounting bolts are tightened.

You may choose to use pressure treated wood or clad the wood with aluminum or even paint it before mounting your awning. For your **10ft. Awning** which has a total actual width of **122.30in. / 3106.4mm**, we recommend you cut your header board to **122.00in. / 3098.8mm**, although your bracket will fit on a 10ft. (120") long board to ensure the product can be properly mounted. Before mounting your header board you will need to determine the location of the awning.

Go to "Additional Material / Hardware Requirements" above for fastening options.

Non-Masonry Surface Installation:

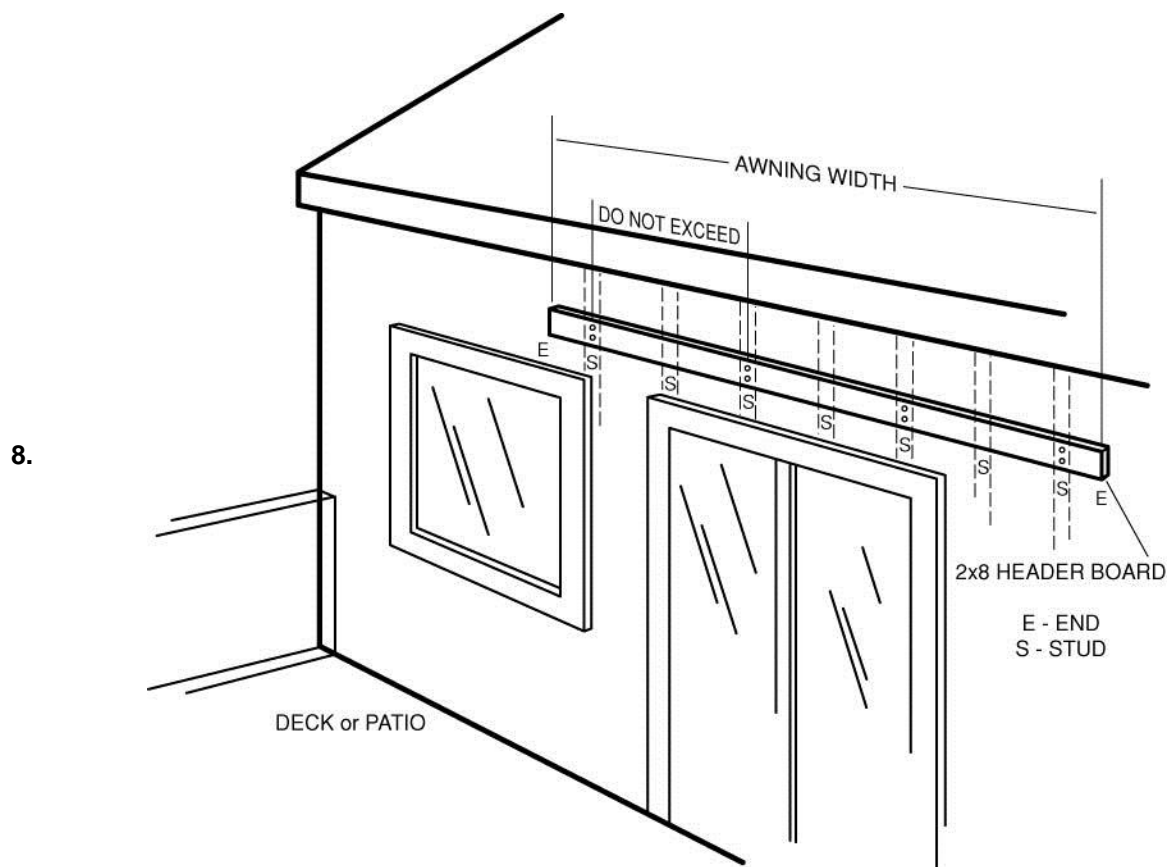
As the awning is quite heavy and the forces put on the product when opened requires it to be firmly secured to the structure. Therefore, for installation on any siding material we recommend a header board be installed. Wood lap siding may have the header board installed directly over the siding, provided is shimmed to be kept parallel to the wall, and it must be secured directly into the studs; wall sheathing alone is NOT adequate for securing the load.

Go to "Additional Material / Hardware Requirements" above for fastening options.

Vinyl, Aluminum, or Steel Siding Installation:

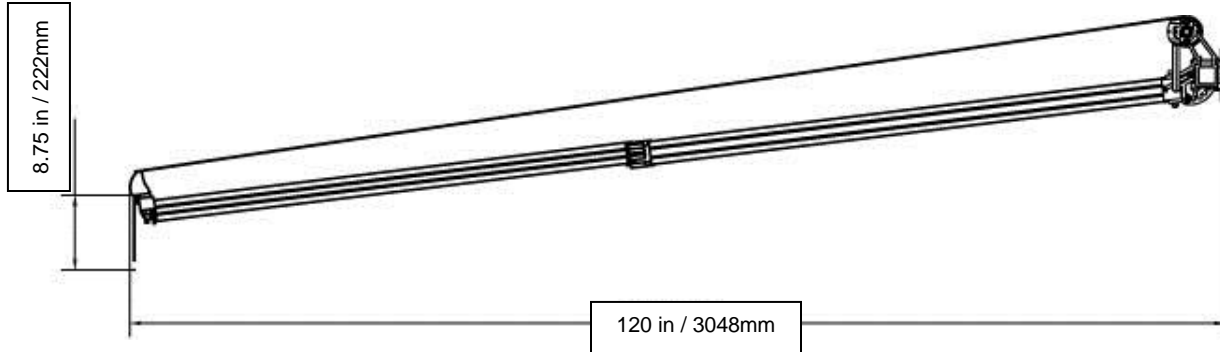
If you're installing on Vinyl, Aluminum or Steel siding, or any unsupported material, we recommend that the siding be cut away, and a header board should be mounting to the studs, the siding can then be trimmed around the header boards and sealed with a caulking to ensure that it is water tight.

Go to "Additional Material / Hardware Requirements" above for fastening options.



DETERMINING MOUNTING HEIGHT:

As our awning has an adjustable pitch, and you may have limited wall height for mounting the awning; therefore it is important to determine the height the awning should be mounted. A common pitch angle for awning installation is about 80 Degrees. The illustration below shows the awning installed at that angle:



You may use the following formula to calculate the height you'll want to install the awning on the wall in order to achieve the necessary Valance clearance at 80 degrees. This formula is based on the 10' Awning with an 8ft. (96in. / 2438mm) projection fully opened. Determine the height you want the aluminum Valance tube at, remember the Valance fabric will hang 8.75in. (222mm) below the aluminum Valance Tube.

Formula:

$96 \times .017 + \text{Desired Valance Height} = \text{Height the top of the roller tube should be set at on the wall.}$

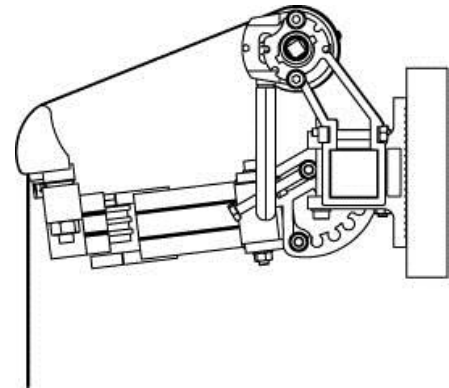
We recommend you mark the height on the wall, and you should have a minimum of 1-1/2" to 2" (38 - 51mm) of unobstructed clearance above this point.

9. MOUNTING A HEADER BOARD:

The Awning Height reference is the upper most point of the Awning Fabric after installed. The mounting brackets will be fastened below this point. As shown in the drawing (to the right), when installing on a 2x8" Header and positioning the bracket centered vertically on the header board the roller tube and fabric will actually be above the top edge of the header board by approximately 2in. (50mm); this is why it is important to consider ample clearance for your Awning to operate properly.

We recommend that you place and level the header board 2 in. (51mm) below the mark you've already put on the wall. Be sure to level the header board and using 3/8" x 4" Galvanized or Zinc plated Lag bolts and securing the board to the wall with no greater than 24in.(610mm) spacing. Be sure to insert shims in the hollows behind the header board to ensure it stays straight when tightening the lag bolts.

Once secured to the wall mark the vertical centre of the header board on each end; use a plumb line to clearly mark this line across the full width of the header board.



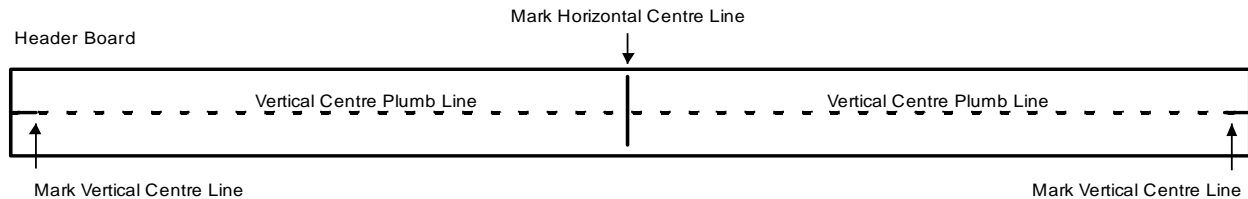
MARKING YOUR AWNING POSITION:

On a Header Board:

Once your Header Board is secured to the wall, mark the vertical centre of the header board on each end; use a plumb line to clearly mark this line across the full width of the header board. Also measure to find and mark the horizontal centre of the board.

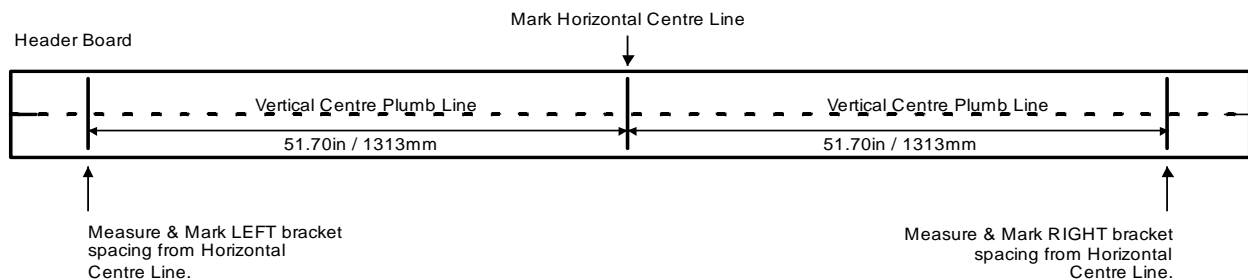
On masonry, or other surface.

The Awning height should have already been marked on the wall, that mark is the upper most point of the Awning. To find the vertical centre for the mounting point, measure down from your mark 6.25in (159mm). Measure this position at both ends when the Awning will be located. Mark the horizontal centre where the Awning will be located.



MARKING & DRILLING FOR MOUNTING BOLTS:

For either installation method above, measure **51.70in. (1313mm)** from the horizontal centre line to the left, and mark this point on the center plumb line already marked. Measure the **51.7in (1313mm)** from the horizontal centre line to the right a mark this point on the plumb line.



Mark LEFT SIDE MOUNTING BRACKET:

Using the BRACKET HOLE TEMPLATE, from this package place the template with the LEFT SIDE INTERSECTION point over the intersection of the lines marked for the LEFT SIDE of the Awning. Ensure that the centre Line is straight over the plumb line marked on the wall. Use a pencil and push through the centre points for the bolts so as to mark the wall on the LEFT Side

Mark RIGHT SIDE MOUNTING BRACKET:

Take the BRACKET HOLE TEMPLATE, from this package and place the template with the RIGHT SIDE INTERSECTION point over the intersection of the lines marked for the RIGHT SIDE of the Awning. Ensure that the centre Line is straight over the plumb line marked on the wall. Use a pencil and push through the centre points for the bolts so as to mark the wall on the LEFT Side.

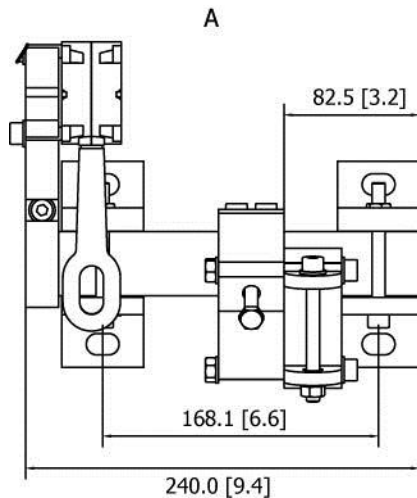
AWNING OPERATION:

Your Awning has been configured for LEFT Side operation (when facing the wall). Remove the LEFT WALL BRACKET, and the RIGHT WALL BRACKET from their individual boxes. Neither bracket will have their ROLLER TUBE SUPPORT BRACKET or Gear Mechanism attached. Inside the RIGHT WALL BRACKET box will be the as well as the ROLLER TUBE SUPPORT BRACKET and a PLASTIC BUSHING. Locate the box labeled GEAR MECH. w/Roller Tube Support Bracket, and Mount the ROLLER SUPPORT BRACKET, which already has the GEAR Mechanism mounting to it on the end of the Square 40x40mm Torsion Bar. Leave the ROLLER TUBE SUPPORT BRACKET off of the RIGHT WALL Bracket.

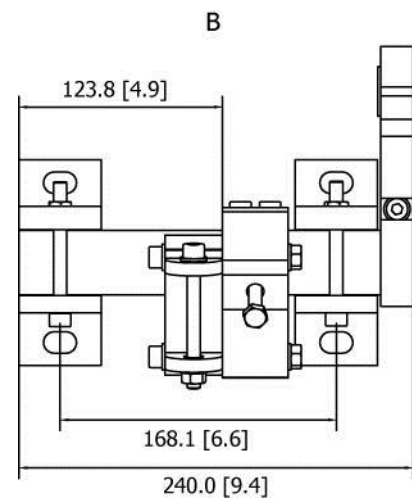
Lay your LEFT and RIGHT BRACKET ASSEMBLIES on the ground as shown in the diagram below.

Left Side operation:

LEFT WALL BRACKET ASSEMBLY



RIGHT WALL BRACKET ASSEMBLY

**CONVERT TO RIGHT SIDE OPERATION:**

Should you wish to convert your Awning to a RIGHT side operation; this can be done by following the configuration steps below:

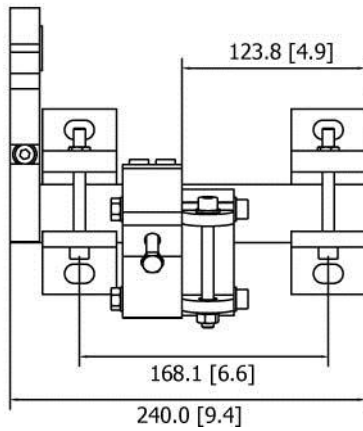
1. Leave your RIGHT & LEFT WALL BRACKET ASSEMBLIES, layed out as shown above.
2. Remove the ROLLER SUPPORT BRACKET which has the GEAR MECHANISM mounted to it, from the LEFT WALL BRACKET ASSEMBLY.
3. Remove the three Allen bolts that are securing the GEAR MECAHNISM TO the support bracket and move it to the opposite side of the ROLLER SUPPORT BRACKET; DO NOT TRY TO MOUNT THE GEAR MECHANISM TO THE OTHER ROLLER TUBE SUPPORT BRACKET AS ITS MOUNTING HOLES MAY NOT ALIGN.
4. Install the ROLLER TUBE SUPPORT BRACKET with the GEAR MECHANISM mounted to it on the RIGHT WALL BRACKET ASSEMBLY, AS SHOW IN THE DIAGRAM BELOW.
5. The remaining ROLLER TUBE SUPPORT BRACKET will now be mounted on the LEFT WALL BRACKET ASSEMBLY, however the PLASTIC BUSHING will now be removed and pressed in to the hole on the Support Bracket from the inside of the bracket, as shown in the diagram below.
6. The last step will now be adjusting the position of the Right & Left EXTENSION ARM SHOULDER BRACKETS to switch the clearance for the GEAR MECHANISM moved to the opposite side.
7. DO NOT loosen bolts on the Wall Brackets, However loosen the two Allen bolts holding the Right & Left EXTENSION ARM SHOULDER BRACKETS, and move them to the location shown below. Re-tighten the two Allen bolts on both

Should you have difficulty with this please call our customer service department at 1-888-875-4844, and we can walk you through this process.

Right Side operation:

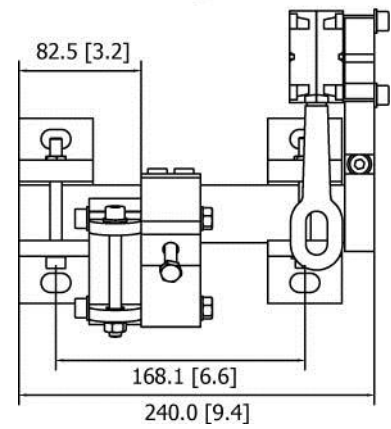
LEFT WALL BRACKET ASSEMBLY

A



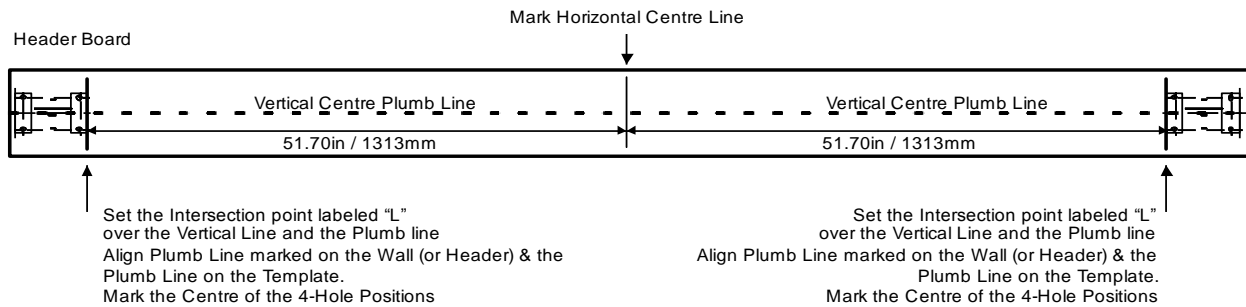
RIGHT WALL BRACKET ASSEMBLY

B



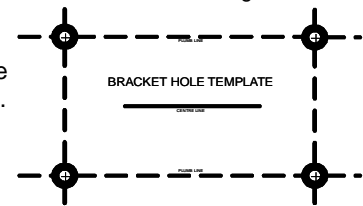
10. BEGINNING AWNING ASSEMBLY & INSTALLATION:

You should now either have a header board installed on your wall or are going to install directly on a masonry material, but have determine the height the awning should be set at.



Installation on Masonry:

A 1/2" x 3" Sleeve Bolt has been included for mounting your awning on Brick, Stone, or Concrete surfaces. Use the "BRACKET DRILL PATTERN" template included in the package (small scale version shown to the right) to locate the position of all the holes. Be very careful to double check your dimensions before drilling.



Using a 1/2" Carbide (Masonry) drill bit drill a minimum of 2-1/4" depth in each hole being careful to keep the holes as straight as possible. Once complete, blow any excess material out of each hole.

Locate the WALL BRACKET that you have decided to install the GEAR MECHANISM on. Place this bracket over the holes just drilled and insert one 3/8" x 2-1/4" Sleeve Bolts through the bracket holes and into the holes in the wall; it may be necessary to lightly tap them in with a hammer, if they are too tight remove the fastener and loosen off the bolt to allow the sleeve to collapse and re-insert in the hole. Using a 5/8" wrench or adjustable wrench, tighten each bolt until snug. **DO NOT OVERTIGHTEN THESE BOLTS.** On masonry if you find that each bracket is not laying flush on the surface you may wish to shim the back of the bracket to avoid damage and provide a secure mount.

Installation on Header Board:

Go to section "ADDITIONAL MATERIAL / HARDWARE REQUIREMENTS" and determine which fasteners you've chosen to use to install the Awning on the header board. The method and fastener that was selected will determine the diameter of the hole that that must be drilled as well as the hole depth.

Once the holes have been drilled and the hardware has been acquired, place the Right and Left Brackets over the holes, insert the fastener and secure as per the recommendations provided with the fastener selected.

Image below: Standard out of Box configuration, Left Side operation:

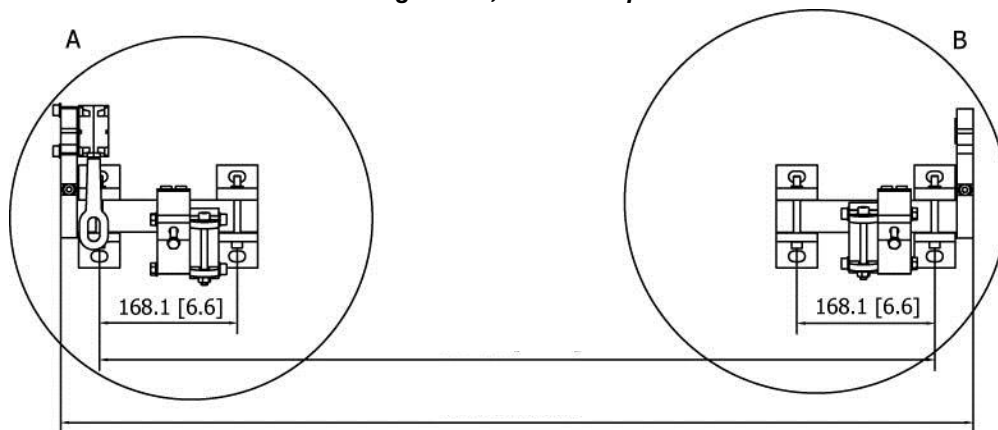
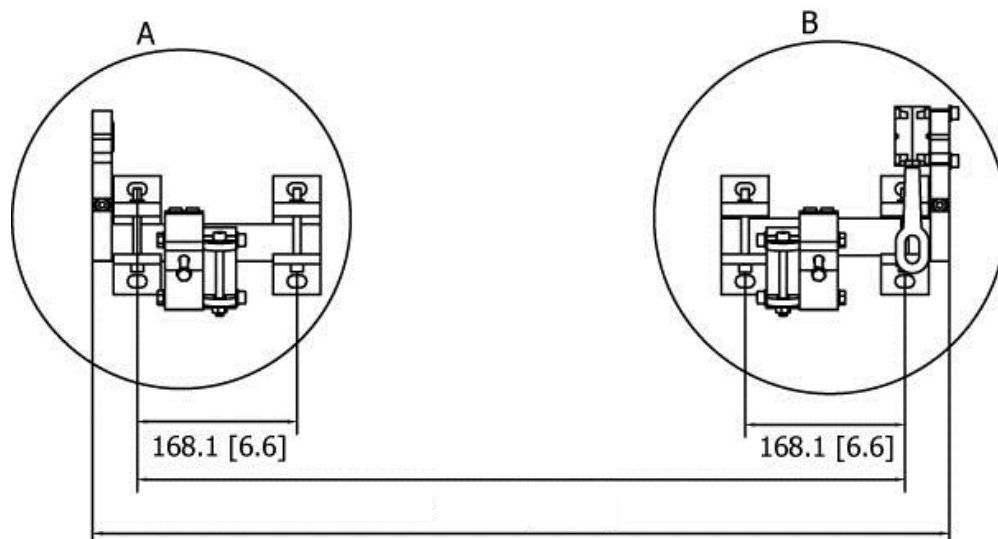


Image below: Converted to Right Side operation:



Repeat the steps above for the other Wall Mounting Bracket without the Roller Tube Support Installed.

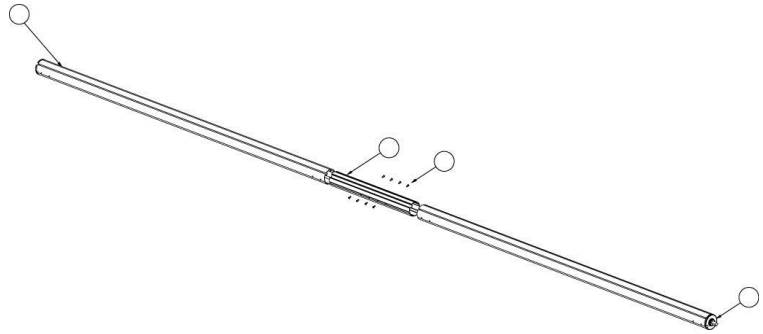
11. ASSEMBLY OF ROLLER TUBE & FABRIC:

Remove the two Roller tubes from the box (remove them from their protective plastic wrap), each will have open ends. Locate the Roller Tube Joiner, and the bag of 8-pcs #6 Philips screws. Insert the Joiner into the open end of one of the roller tubes, align the holes and insert four screws and tighten snug, **DO NOT OVERTIGHTEN.**

Insert the other Roller tube over the exposed end of the Roller Tube Joiner and using the remaining #6 Philips Head screws insert the screws and tighten snug, **DO NOT OVERTIGHTEN.**

Now take the assembled Roller Tube and orient it such that the Square end of the tube is on the same side as your gear mechanism on the wall.

Open the bag / box with your awning fabric, do not cut through the plastic or cardboard as you may cut the fabric. Open the fabric up and locate the open ends sewn into the fabric. Orient the fabric so the hem is facing down. Locate the 6mm diameter Plastic Spline and insert it through the open ends of the Fabric allowing it to hang out each end of the fabric evenly. Insert a Spline the same way on the other side of the fabric. With some assistance slide the Spline and the fabric into the channels from one end of the Roller tube, carefully slide the fabric into the channel, be sure not to damage the fabric on the ends of the aluminum tube ends. Centre the fabric on the Roller tube; the fabric should be approximately 5cm shorter than the roller tube on each end. Now with assistance rotate the roller tube evenly to roll the fabric around the tube over the top until it's almost completely rolled around the tube.

**12. ASSEMBLY OF VALANCE TUBE & FABRIC:**

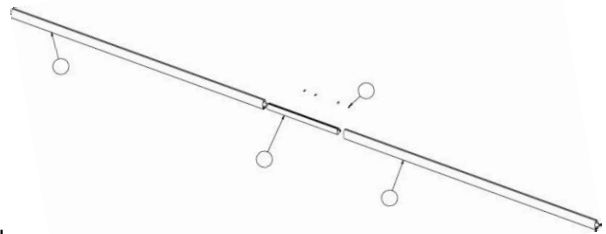
Remove the two Valance tubes from the box (remove them from their protective plastic wrap), each will have open ends. Orient the tubes such that the drilled holes in the back of the Valance tubes are at the joint. Locate the Valance Tube Joiner and the bag of 4-pcs #6 Philips screws. Insert the Joiner into the open end of one of the Valance Tubes, align the holes and insert two screws and tighten snug, **DO NOT OVERTIGHTEN.**

Insert the other Valance Tube over the exposed end of the Valance Tube Joiner and using the remaining #6 Philips Head screws insert the screws and tighten snug, **DO NOT OVERTIGHTEN.**

In the same manner as you install the fabric in the ROLLER TUBE, repeat this process to install the Awning Fabric in the Top Channel of the Valance tube as Shown in the photo to the right.

Install the Fabric Valance

Locate the Fabric Valance, and insert a 6mm plastic Spline in its open channel, as you did with the main fabric. Insert the Spline and fabric in the lower channel on the Valance tube as shown in the photo to the right.



13. INSTALL POSITION POLES, WRIST ASSEMBLIES, & LEVEL:

Locate the bag labeled MISC.PARTS; remove the 2-Position Poles, 2-Wrist Assemblies, and the Level.

Slide each of the items into the bottom channel of the Valance tube in the following order:

1. Slide the Level in and position just to one side of the joint in the VALANCE TUBE; tighten the Phillips head screw to secure in place.
2. On one end of the VALANCE TUBE first slide in a POSITION POLE, followed by a WRIST ASSEMBLY.
3. From the opposite end of the VALANCE TUBE first slide in a POSITION POLE, followed by a WRIST ASSEMBLY.

There is a POSITION Pole for each side of the awning which is intended to keep the awning from being retracted too far which could damage the product. Each POSITION POLE should be positioned approximately 12in (305mm) from the centre joint.



The WRIST ASSEMBLIES, will each be positioned approximately 7.50in (190mm) from each end of the VALANCE TUBE. This position may require minimal re-positioning after the Awning is fully assembled, and is addressed in the ADJUSTMENT & FINE TUNING OF THE AWNING later in this guide.

With the LEFT and RIGHT Side Wrist Assemblies now positioned, tighten the Philips screws on the bottom of each Wrist Assembly to secure it in place.



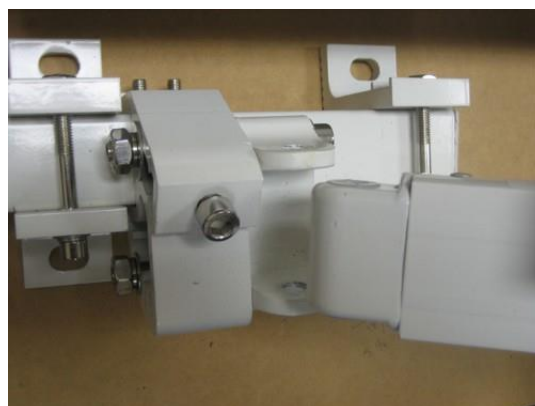
WARNING:

DO NOT CUT THE PLASTIC ZIP TIES ON THE AWNING EXTENSION ARMS UNTIL INSTRUCTED TO DO SO IN THIS GUIDE. THE FOLDING ARMS ARE UNDER SPRING TENSION AND SHOULD NOT BE CUT UNTIL THE AWNING IS FULLY ASSEMBLED AND INSTALLED ON THE WALL.

14. INSTALL EXTENSION ARMS:

Locate the box that is labeled LEFT and RIGHT Extension Arms. Carefully open the box and find the LEFT and the RIGHT Extension Arm. Each arm is Labeled LEFT and RIGHT, and each or them indicates TOP, meaning that top should face upwards when installing the part.

Remove the EXTENSION ARM Pivot Bolt on the LEFT BRACKET ASSEMBLY. Insert the large end of the LEFT Extension Arm ensuring that the side labeled TOP is facing upwards. Fit the RIGHT EXTENSION ARM in the open bracket and align the holes. You may require a mallet to get the Extension Arm in to the bracket, insert the Pivot bolt from the top and hold the cap nut at the bottom of the bracket. This joint has a very tight fit, as such you will need to use a 10mm Allen Key a screw the bolt into the Hex nut, once the bolt catches the threads it will tighten well. This bolt needs to be very tight but not so tight that it can not swing. Repeat this step on the RIGHT BRACKET ASSEMBLY and install the RIGHT EXTENSION ARM.



15. ATTACH THE VALANCE TUBE TO THE EXTENSION ARMS:

Remove the Nylon Hex Nut From the two WRIST ASSEMBLIES already installed in the VALANCE TUBE, and drop the Wrist Pin bolt down through the open ends on each of the Extension Arms. Use an 18mm Socket / Wrench or adjustable wrench to tighten the Nylon Hex Nuts back on to the Wrist Pin Bolts. Tight snug and then loosen a quarter turn, to allow for unrestricted movement.

16. TIGHTEN THE FABRIC:

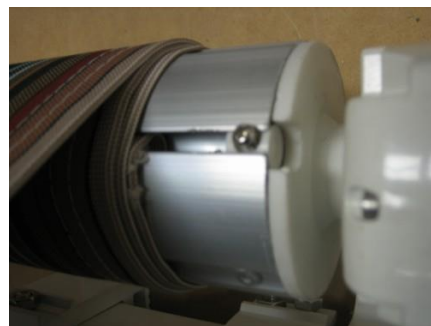
Locate the Manual Crank handle and hook it into the loop on the gear mechanism, turn counter clockwise to roll the fabric around the Roller tube and remove any slack in the fabric.

YOU MAY NOW CUT THE PLASTIC ZIP TIES ON EACH OF THE EXTENSION ARMS, THEY SHOULD IMMEDIATELY PUSH OUTWARD AND TAKE ANY ADDITIONAL SLACK OUT OF THE FABRIC.

17. INSTALL SPLINE STOPS & VALANCE TUBE END CAPS

We recommend that you go through the Adjustment and Fine Tuning of your Awning before completing step 17, however when complete, finish your installation as follows:

- Cut any excess SPLINE an additional ½" (12.7mm), on both ends of the ROLLER TUBE and VALANCE TUBE such that the SPLINE STOPS can be installed in the end of each channel, then tighten the phillips head screw to secure in place.
- Slide the Right and Left Side VALANCE TUBE END CAPS over each end of the VALANCE TUBE.

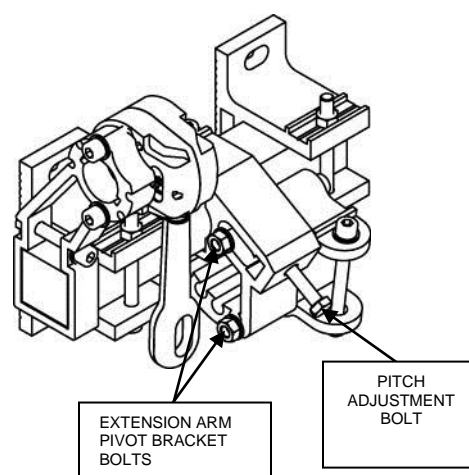


18. ADJUSTMENT & FINE TUNING OF THE AWNING:

Every Awning will require minor adjustment to operate correctly. The following section will walk you through the minor adjustments required to make you awning operate correctly:

Pitch Adjustment:

If the pitch is set much different on each end it will be difficult to make other adjustments. Ensure that the EXTENSION ARM PIVOT Bracket is mounted in the same hole on the LEFT and RIGHT Side Brackets. Pivot adjustment can be achieved by loosening the EXTENSION ARM PIVOT BRACKET BOLTS, and then using the PITCH ADJUSTMENT BOLT screw you can position the awning pitch equally on the right and left sides. Once you've reach your pitch preference, you must retighten the EXTENSION ARM PIVOT BRACKET BOLTS.



Fabric Roll:

The following is the most common adjustment and will be necessary to ensure the awning opens and closes properly as well as ensuring the fabric rolls around the roller tube evenly. Insert your Crank Handle in the Gear Mechanism Loop; turn counter clockwise the fabric will release and the awning will roll out. Once you get the fabric out, roll it back in. You want to be watching for the following:

- The RIGHT and LEFT Extension arms are operating equally, in other words the elbow (or centre joint) in each Extension arm should be opening and closing equally.

The image below, shows an awning opening only about half way; notice how the awning arms are positioned in relation to each other. You want the Extension Arms opening and closing as close to evenly as possible as shown in the diagram below.

IN-CORRECT



CORRECT



Adjustment of this is quite simple;

To move the elbow of either Extension arm more outward you will move the Wrist Assembly (which holds the end of the Extension Arm farther towards the end of the Valance Tube; And you will move the Wrist Assembly farther toward s the Centre of the Valance Tube to move the elbow (or centre joint) of either Extension Arm towards the wall.

To make this adjustment:

While the Awning is rolled out, loosen the Philips head Screws on the bottom of the Wrist Pin Assembly (shown in the photos to the right; **DO NOT COMPLETELY REMOVE THESE SCREWS**. You can slide the Wrist Pin in either direction (as required) within the channel on the bottom of the Valance Tube. Be careful to ensure that you maintain even alignment of the end of the Valance Tube and the Roller Tube while making this adjustment. By moving the Wrist Assembly toward the outside ends of the VALANCE TUBE you will move the EXTENSION ARM Elbow farther out from the wall; and closer to the wall if you move the Wrist Assembly toward the centre of the VALANCE TUBE.



Roll your awning in and out a few times making small adjustments until it operates correctly and smoothly. Once complete; while the Awning is out re-tighten the Philips head screws on the bottom of the Wrist Assemblies.

Should you still have any problems that you can not rectify, please call our customer service department at 1-888-875-4844. We also have a Q&A section on our website at www.valor.ca/awnings

Thank you.