

RETRACTABLE PATIO SHADE AWNING

Patio Awning Guide-10ft. x16ft. (Proj. X Width)

Model: AP021016 (version: GEN2-V1)

WARNING:

DO NOT CUT THE PLASTIC ZIP TIES ON THE AWNING EXTENSION ARMS UNTIL INSTRUCTED TO DO SO IN THIS GUIDE. THE FOLDING ARMS ARE UNDER SPRING TENSION AND SHOULD NOT BE CUT UNTIL THE AWNING IS FULLY ASSEMBLED AND INSTALLED ON THE WALL.

1. INTRODUCTION:

Thank you for purchasing a Retractable Shade Awning. Before proceeding, please ensure that all the parts are in the box, as listed below:

Master Carton Contents:

1-Box	labeled EXTENSION ARMS
1-Box	labeled LEFT WALL BRACKET ASSEMBLY
1-Box	labeled RIGHT WALL BRACKET ASSEMBLY
1-Box	labeled GEAR MECH. & Support Bracket
1-EA	180 cm Roller Tube, w/Square Drive
1-EA	180 cm Roller Tube, w/Round Drive
1-EA	120 cm Roller Tube, w/Open Ends (Centre)
2-EA	50 mm Roller Tube Joiner
1-EA	180 cm Valance Tube, drilled left
1-EA	180 cm Valance Tube, drilled right
1-EA	120 cm Valance Tube, drilled right & left
2-EA	50 mm Valance Tube Joiner, drilled
3-PCS	492cm Plastic Spline (coiled)
1-BAG	Bubble Bag, labeled MISC. PARTS, includes: -2-Wrist Assemblies -2-Position Poles -Level -6-Spline Stops -Right & Left Valance Tube End Caps -2-Bags of 4-1/2" x3" Sleeve Anchors
1-EA	160 cm Crank Handle
1-EA	Centre Roller Support Bracket (w/Sleeve Anchors)

In the event that there is ANY part missing or damaged parts, please **DO NOT RETURN THE PRODUCT TO YOUR RETAILER.** By returning the product to your retailer we can not assist you in getting your awning properly installed. Call our TOLL FREE Customer Service Hotline at 1-888-875-4844 for parts or replacement of parts that may have been damaged when shipped.

You may also go to our website at www.valor.ca in the Valor Shade/Patio Awning section for all assembly and installation instructions, set up, adjustment, and troubleshooting instructions. There you will be able to see common problems and how to rectify them usually with a simple adjustment. You may also use this section to email us your questions, and during business hours between 9:00 AM and 4:00 PM EST you will be able to connect with a customer service representative for assistance.

2. PRODUCT:

The Valor Shade Awning is a unique program that allows you to order awnings that are modular in design making them easier to transport home. The product is offered with your choice of several available patterns (sold separately). The product in factory configured with Left Side operation (when facing the house), but can be converted to a right side operation by following the steps outlined in this guide.

IMPORTANT WARNING:

Your new awning is intended as protection against the sun only. It is not to be used during periods of strong wind, rain, hail, or snow. The warranty will not cover use during these periods. Bird droppings, pine needles,

and various air born materials that may settle on your awning and awning fabric should be cleaned using water and a light soap. No abrasive cleansers or harsh chemical should be used on the fabric. Damage to the Awning (including the fabric) from any foreign material is not covered under our warranty.

3. INSTALLATION TOOLS REQUIRED:

Drill	Philips screwdriver
1/2" Carbide (Masonry) drill bit	Level
5/8" Socket, Wrench or Adjustable Wrench	Plumb line
18mm Wrench or Adjustable Wrench	Tape Measure
Metric Allen keys 5mm, 6mm, 8mm, 10mm	Square
9/16" Socket, Wrench or Adjustable wrench	Pencil
Hammer/Mallet	

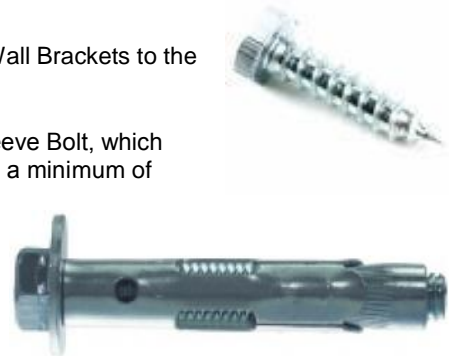
4. ADDITIONAL MATERIAL / HARDWARE REQUIREMENTS:

In the event that a Header board is required, you will require a 2x8" the same total length of the awning.

Go to "House Preparation" to determine if a Header Board is required for your installation.

The following outlines the additional mounting hardware that will be required for your installation, for the various header mounting methods.

- 8 pieces of a 1/2" x 2" Wood Screw & Washer to mount the Awning Wall Brackets to the Header board.
- **OR**, for superior holding power you may choose to use a 1/2" x 4" Sleeve Bolt, which will require drilling a 1/2" hole through the header and continue to drill a minimum of another 2-3/4" depth with a carbide (masonry) drill bit. This will essentially use the header board to provide the level surface for the awning but will use the greater strength of the masonry wall for holding power. You may contact our office for technical information pertaining to available fasteners. (Sleeve Bolt show to the right)



If mounting the Header on Brick, Stone or Concrete:

One of the following; expansion bolts with a minimum 3-1/4" depth **OR**; 3/8" lag bolts a minimum length of 3-1/4", with lag shields (which may require a 5/8" hole drilled in the brick).

For either of these options, you will need enough to install on the top and bottom of the header with maximum spacing of 24" or less.

If mounting the Header on Solid Wood Siding or Stucco:

You will need to locate the studs and locate 3/8" Lag Bolts long enough to penetrate the Header board, siding, any insulation and grab at least 2" of the wall studs. ***Due to the weight of the awning and the forces applied to it when operating it is critical that the lag bolts be installed into studs.***

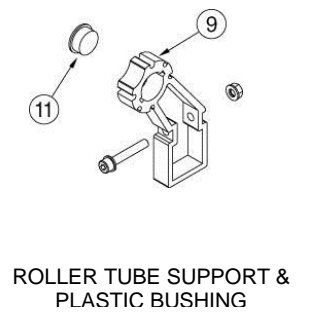
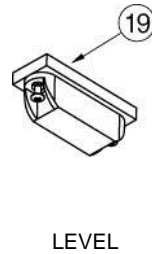
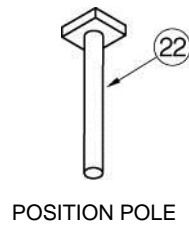
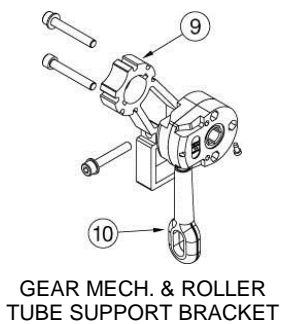
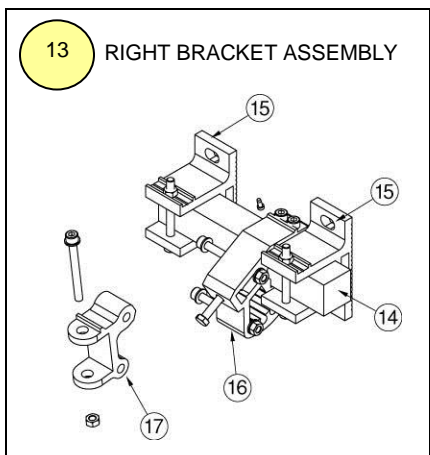
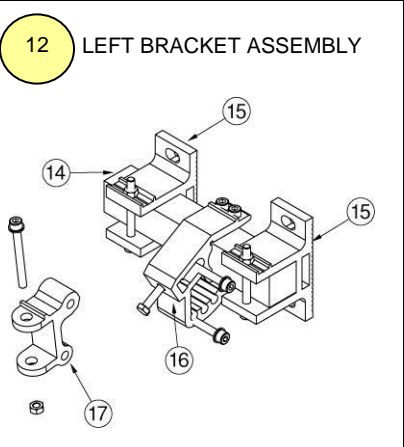
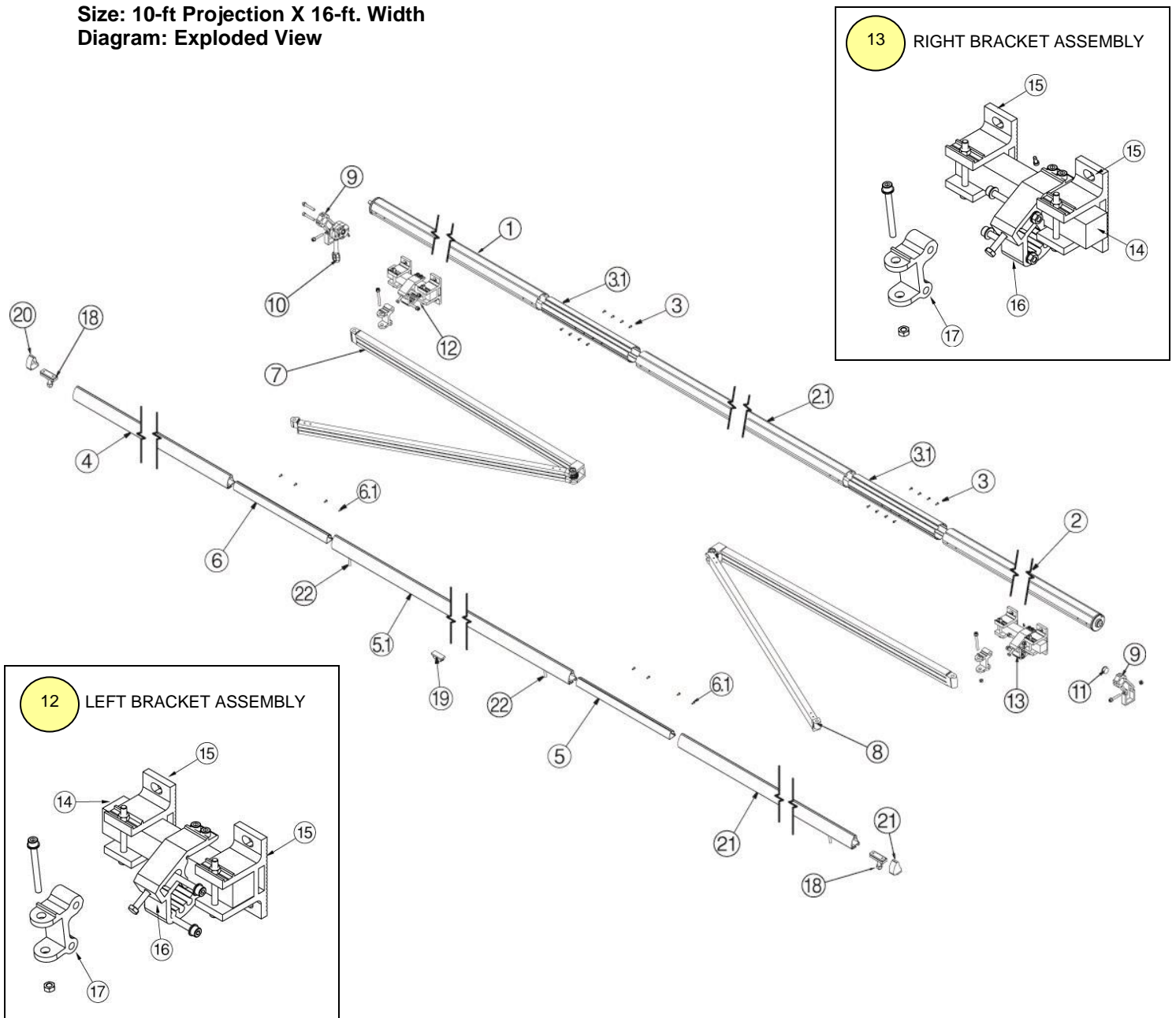
You will need enough lag bolts to install on the top and bottom of the header with maximum spacing of 24" or less.

For technical information regarding fasteners, go to www.uncanfast.com

5. RETRACTABLE AWNING SCHEMATIC DRAWING

Size: 10-ft Projection X 16-ft. Width

Diagram: Exploded View

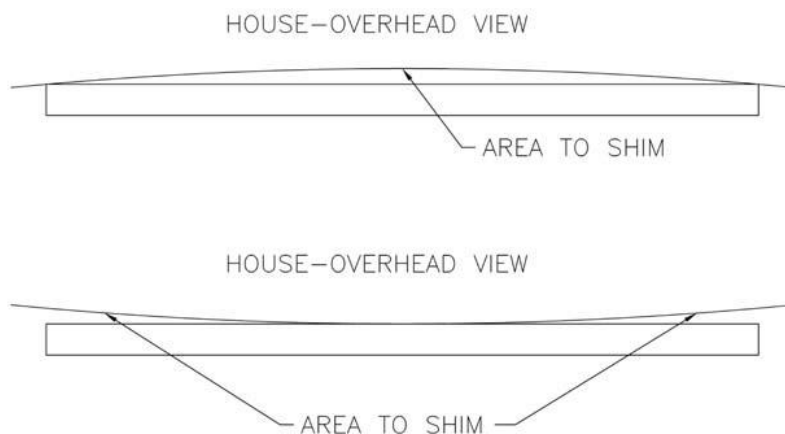


6. PARTS LIST

Item	Part No.	Description	Qty
1		Roller Tube w/Square Drive Tube End	1
2		Roller Tube w/Round Drive Tube End	1
2.1		Roller Tube Centre w/Open Ends	1
3		Roller Tube Joiner	2
3.1		Roller Tube Joiner Fasteners (attached)	8
4		Valance Tube-LEFT Side	1
5		Valance Tube-RIGHT Side	1
5.1		Valance Tube-Centre	1
6		Valance Tube Joiner	2
6.1		Valance Tube Joiner Fasteners (attached)	4
7		Extension Arm-LEFT Side	1
8		Extension Arm-RIGHT Side	1
9		Roller Tube Support	2
10		Gear Mechanism	1
11		Plastic Roller Tube Bushing	1
12		LEFT Bracket Assembly Sub-components of Assembly:	1
14		• 40x40x540mm Torsion Bar (w/plastic end caps)	1
15		• Wall Brackets(w/hardware)	2
16		• Extension Arm Shoulder Bracket (w/hardware)	1
17		• Extension Arm Pivot Mount (w/hardware)	1
13		RIGHT Bracket Assembly Sub-components of Assembly:	1
14		• 40x40x540mm Torsion Bar (w/plastic end caps)	1
15		• Wall Brackets(w/hardware)	2
16		• Extension Arm Shoulder Bracket (w/hardware)	1
17		• Extension Arm Pivot Mount (w/hardware)	1
18		Wrist Pin Assembly (w/hardware)	2
19		Valance Level (w/hardware)	1
20		Valance Tube End Cap-LEFT End	1
21		Valance Tube End Cap-RIGHT End	1
22		Position Poles	2
23		Manual Crank Handle (not shown in diagram)	1
24		Spline for Fabric (not shown in diagram)	3
25		½"x 3" Sleeve Anchor Bolts (not shown in diagram)	8
26		Spline Channel Plugs (not shown in diagram)	6

7. HOUSE PREPARATION:

Ensure that a smooth area exists for mounting the awning free from any obstructions, light fixtures, downspouts, etc. Sight the wall and use a plumb line across the wall surface to see if there are any significant bows or sweeps in the wall. In the event the wall surface is either a very rough brick which might keep the wall mounting brackets from mounting level, or if the wall surface is very uneven a Header Board should be installed.



If you decide its best to install a Header Board, we recommend a 2x8" board of spruce or fir material, we do not recommend cedar unless you choose to lag through the header and into a solid surface such as brick, as this wood is too soft and may not hold fasteners as well as a harder wood.

Be sure to sure to add shims in the gaps behind the Header Board so it will continue to lay straight on the wall as its mounting bolts are tightened.

You may choose to use pressure treated wood, or clad the wood with aluminum or even paint it before mounting your awning. For your **16ft. Awning** which has a total actual width of **193.16-in. / 4906.4-mm**, we recommend you cut your header board to **194.0-in. / 4927.6-mm**, although your bracket will fit on a 16-ft. (192" long board) to ensure the product can be properly mounted. Before mounting your header board you will need to determine the location of the awning.

Go to "Additional Material / Hardware Requirements" above for fastening options.

Non-Masonry Surface Installation:

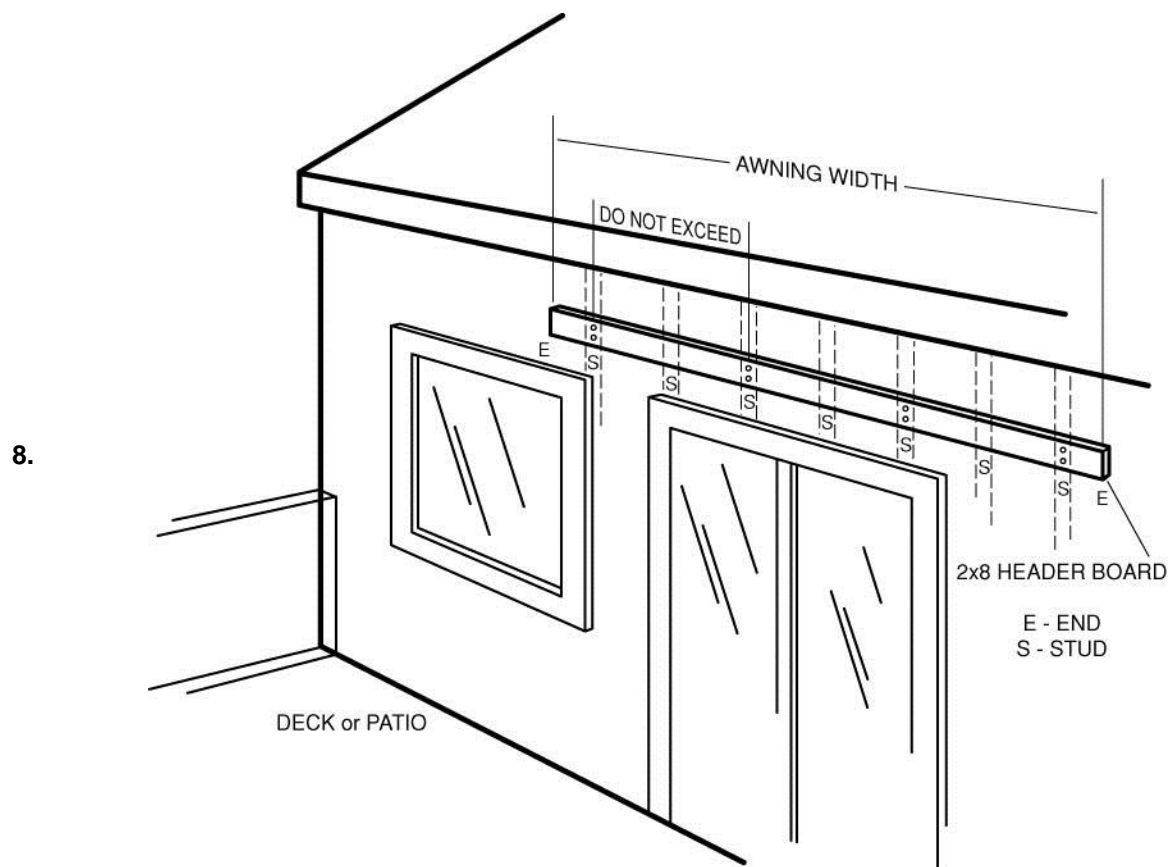
As the awning is quite heavy and the forces put on the product when opened requires it to be firmly secured to the structure. Therefore, for installations on any siding material we recommend a header board be installed. Wood lap siding may have the header boards installed directly over the siding, provided is shimmed to be kept parallel to the wall, and it must be secured directly into the studs, wall sheathing alone is NOT adequate for securing the load.

Go to "Additional Material / Hardware Requirements" above for fastening options.

Vinyl, Aluminum, or Steel Siding Installation:

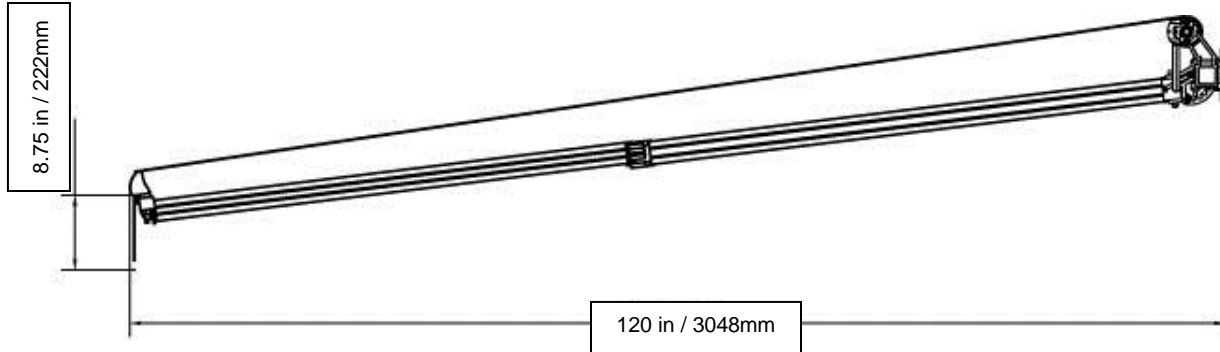
If you're installing on Vinyl, Aluminum or Steel siding, or generally any unsupported material, we recommend that the siding be cut away, and a header board should be mounting the studs, the siding can then be trimmed around the header boards and sealed with a caulking to ensure that it is water tight.

Go to "Additional Material / Hardware Requirements" above for fastening options.



DETERMINING MOUNTING HEIGHT:

As our awning has an adjustable pitch, and you may have limited wall height for mounting the awning it is important to determine the height the awning should be mounted. A common pitch angle for awning installation is about 80 Degrees. The illustration below shows the awning installed at that angle:



You may use the following formula to calculate the height you'll want to install the awning on the wall, in order to achieve the necessary Valance clearance at 80 degrees. This formula is based on the 12' Awning with a 10ft. (120in. / 3048mm) projection fully opened. Determine the height you want the aluminum Valance tube at, remember the Valance fabric will hang 8.75in. (222mm) below the aluminum Valance Tube.

Formula:

120 x .017 + Desired Valance Height = Height the top of the roller tube should be set at on the wall.

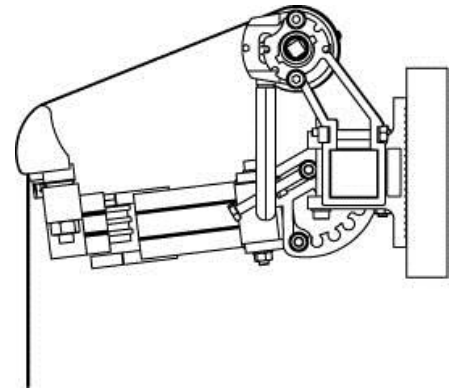
We recommend you mark the height on the wall, and you should have a minimum of 1-1/2" to 2" (38 - 51mm) of unobstructed clearance above this point.

9. MOUNTING A HEADER BOARD:

The Awning Height reference is the upper most point of the Awning Fabric after installed. The mounting brackets will be fastened below this point. As shown in the drawing (to the right), when installing on a 2x8" Header and positioning the bracket centered vertically on the header board the roller tube and fabric will actually be above the top edge of the header board by approximately 2in. (50mm); this is why it is important to consider ample clearance for your Awning to operate properly.

We recommend that you place and level the header board 2 in. (51mm) below the mark you've already put on the wall. Be sure to level the header board and using 3/8" x 4" Galvanized or Zinc plated Lag bolts and securing the board to the wall with no greater than 24in.(610mm) spacing. Be sure to insert shims in the hollows behind the header board to ensure it stays straight when tightening the lag bolts.

Once secured to the wall mark the vertical centre of the header board on each end; use a plumb line to clearly mark this line across the full width of the header board.



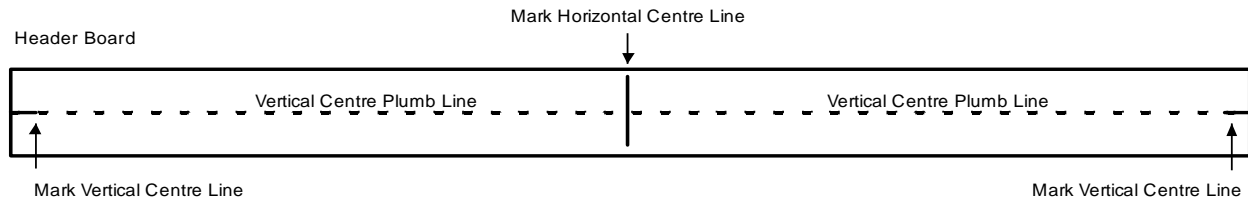
MARKING YOUR AWNING POSITION:

On a Header Board:

Once your Header Board is secured to the wall mark the vertical centre of the header board on each end; use a plumb line to clearly mark this line across the full width of the header board. Also measure to find and mark the horizontal centre of the board.

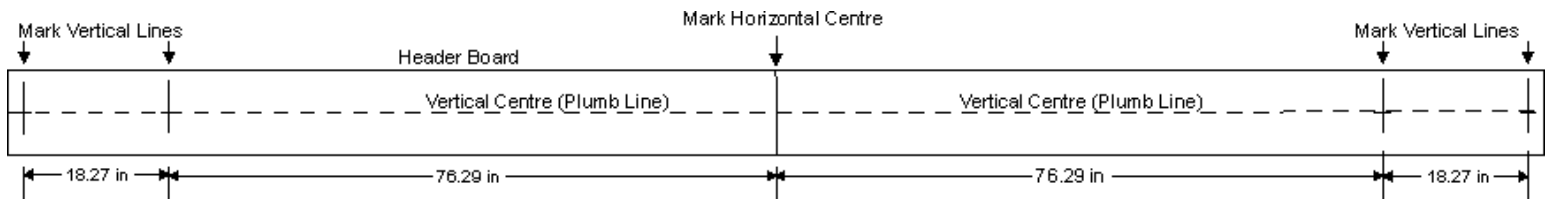
On masonry, or other surface.

The Awning height should have already been marked on the wall, that mark is the upper most point of the Awning. To find the vertical centre for the mounting point, measure down from your mark 6.25in (159mm). Measure this position at both ends when the Awning will be located. Mark the horizontal centre where the Awning will be located.



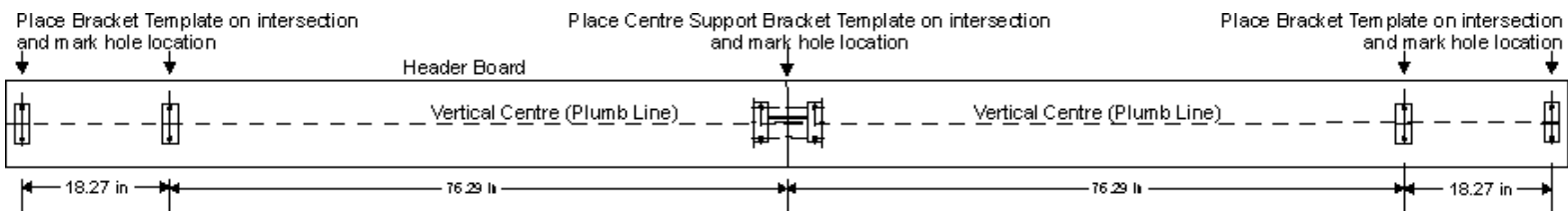
MARKING & DRILLING FOR MOUNTING BOLTS:

For either installation method above; measure **76.29-in. (76-9/32-in or 1938-mm)** and **94.56-in. (94-9/16-in or 2402-mm)** from the horizontal centre line to the left, and mark this point on the center plumb line already marked. Measure **76.29-in. (76-9/32-in or 1938-mm)** and **94.56-in. (94-9/16-in or 2402-mm)** from the horizontal centre line to the right, and mark this point on the center plumb line.



Mark MOUNTING BRACKET hole locations:

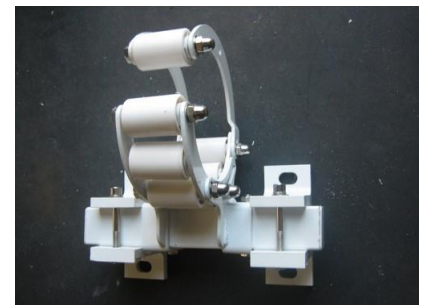
Once the intersection points have been marked on the wall or header board as shown above; use the bracket template included in this guide to mark the actual hole position by aligning the intersection points marked, on the wall or header and the template. Mark the hole locations.



Mark Centre Supports Bracket hole position:

Using the Centre Support Bracket Template included in the guide, align the intersections points on the Vertical and Horizontal lines marked on the header board or wall, and the Center Support Bracket; mark the hole positions.

The Centre Roller Support Bracket is shown in the image to the right.



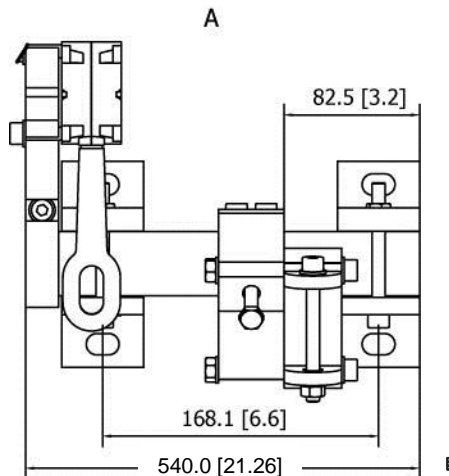
AWNING OPERATION:

Your Awning has been configured for LEFT Side (when facing the wall) operation. Remove the LEFT WALL BRACKET, and the RIGHT WALL BRACKET from their individual boxes. Neither bracket will have their ROLLER TUBE SUPPORT BRACKET or Gear Mechanism attached. Inside the RIGHT WALL BRACKET box will be the as well as the ROLLER TUBE SUPPORT BRACKET and a PLASTIC BUSHING. Locate the box labeled GEAR MECH. w/Roller Tube Support Bracket, and Mount the ROLLER SUPPORT BRACKET, which already has the GEAR Mechanism mounting to it on the end of the Square 40x40mm Torsion Bar. Leave the ROLLER TUBE SUPPORT BRACKET off of the RIGHT WALL Bracket.

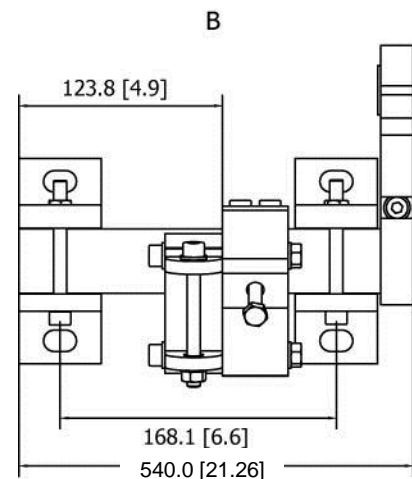
Lay your LEFT and RIGHT BRACKET ASSEMBLIES on the ground as shown in the diagram below.

Left Side operation:

LEFT WALL BRACKET ASSEMBLY



RIGHT WALL BRACKET ASSEMBLY

**CONVERT TO RIGHT SIDE OPERATION:**

Should you wish to convert your Awning to a RIGHT side operation; this can be done by following the following configuration steps.

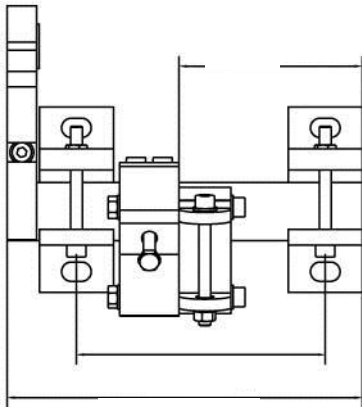
1. Leave your RIGHT & LEFT WALL BRACKET ASSEMBLIES, laid out as shown above.
2. Remove the ROLLER SUPPORT BRACKET which has the GEAR Mechanism mounting to it, from the LEFT WALL BRACKET ASSEMBLY.
3. Remove the three Allen bolts that are securing the GEAR MECHANISM the support bracket and move it to the opposite side of the ROLLER SUPPORT BRACKET; DO NOT TRY TO MOUNT THE GEAR MECHANISM TO THE OTHER ROLLER TUBE SUPPORT BRACKET AS ITS MOUNTING HOLES MAY NOT ALIGN.
4. Install the ROLLER TUBE SUPPORT BRACKET with the GEAR MECHANISM mounted to it on the RIGHT WALL BRACKET ASSEMBLY, AS SHOW IN THE DIAGRAM BELOW.
5. The remaining ROLLER TUBE SUPPORT BRACKET will now be mounted on the LEFT WALL BRACKET ASSEMBLY, however the PLASTIC BUSHING will now be removed and pressed in to the hole on the Support Bracket from the inside of the bracket, as shown in the diagram below.

Should you have difficulty with this please call our customer service department at 1-888-875-4844, and we can walk you through this process.

Right Side operation:

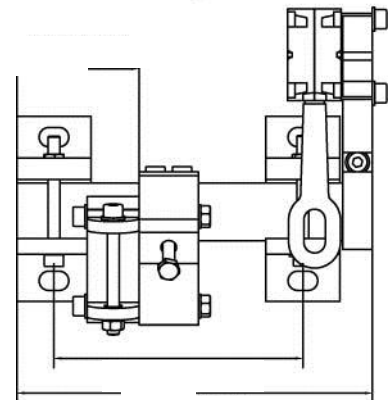
LEFT WALL BRACKET ASSEMBLY

A



RIGHT WALL BRACKET ASSEMBLY

B



10. BEGINNING AWNING ASSEMBLY & INSTALLATION:

You should now either have a header board installed on your wall or are going to install directly on a masonry material, but have determine the height the awning should be set at.

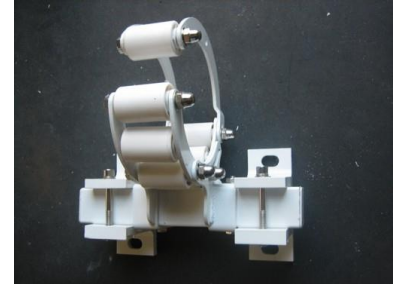
Installation on Masonry:

A 1/2" x 3" Sleeve Bolt has been included for mounting your awning on Brick, Stone, or Concrete surfaces.

Using a 1/2" Carbide (Masonry) drill bit drill a minimum of 2-1/4" depth in each hole being careful to keep the holes as straight as possible. Once complete, blow any excess material out of each hole.

Locate the Wall bracket that you have decide to install the Gear Box on. Place this bracket over the holes just drilled and insert one 1/2" x 3" Sleeve Bolts through the bracket holes and into the holes just drilled in the wall, it may be necessary to lightly tap them in with a hammer, if they are too tight remove the fastener and loosed off the bolt to allow the sleeve to collapse and re-insert in the hole. Using a 5/8" wrench or adjustable wrench, tighten each bolt until snug. **DO NOT OVERTIGHTEN THESE BOLTS.** ON masonry if you find that each bracket is not laying flush on the surface you may wish to shim the back of the bracket to avoid damage and provide a secure mount.

Locate the Centre Roller Support Bracket (image to the right). Place this bracket over the holes just drilled and insert one 1/2" x 3" Sleeve Bolts through the bracket holes and into the holes just drilled in the wall, it may be necessary to lightly tap them in with a hammer, if they are too tight remove the fastener and loosed off the bolt to allow the sleeve to collapse and re-insert in the hole. Using a 5/8" wrench or adjustable wrench, tighten each bolt until snug. **DO NOT OVERTIGHTEN THESE BOLTS.** ON masonry if you find that each bracket is not laying flush on the surface you may wish to shim the back of the bracket to avoid damage and provide a secure mount.



Installation on Header Board:

Go to section "ADDITIONAL MATERIAL / HARDWARE REQUIREMENTS" and determine which fasteners you've chosen to use to install the Awning on the header board. The method and fastener that was selected will determine the diameter of the hole that that must be drilled as well as the hole depth.

One the holes have been drilled and the hardware has been acquired, place the Right and left Brackets over the holes insert the fastener and secure as per the recommendations provided with the fastener selected.

Image below: Standard out of Box configuration, Left Side operation:

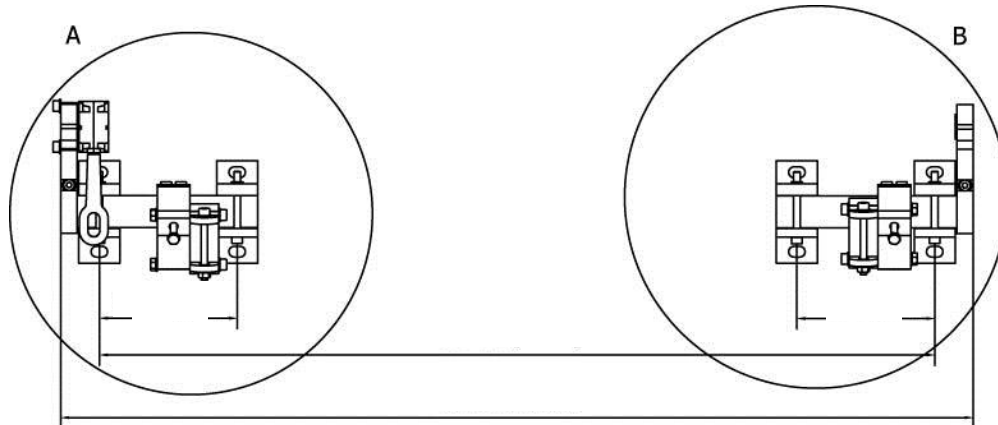
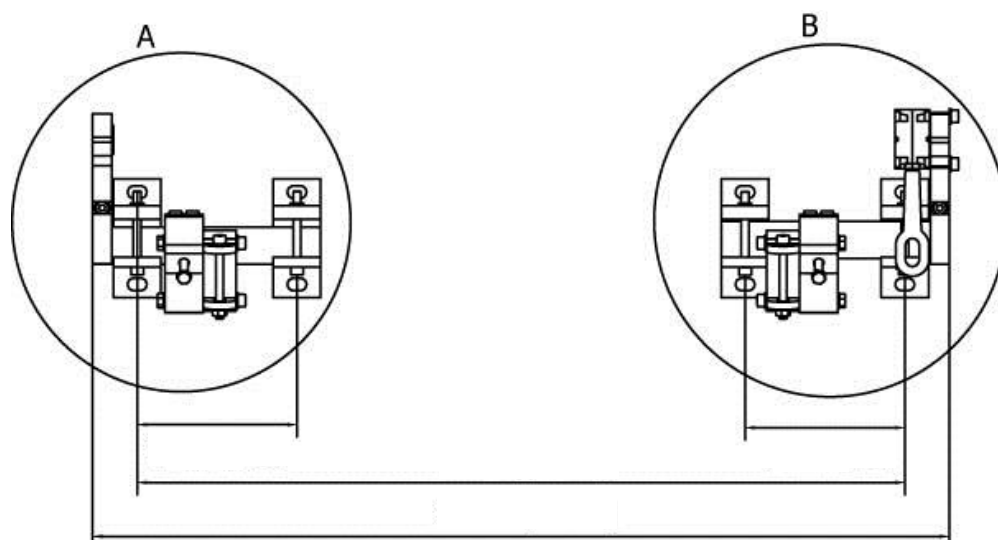


Image below: Converted to Right Side operation:

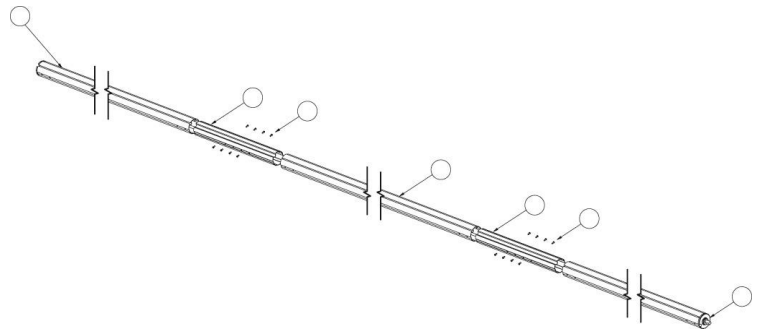


Repeat the steps above for the other Wall Mounting Bracket without the Roller Tube Support Installed.

11. ASSEMBLY OF ROLLER TUBE & FABRIC:

Remove the three Roller tubes from the box (remove them from their protective plastic wrap). Orient the centre Roller Tube (with open ends) between the two other tubes each with an insert at each end. Locate the two Roller Tube Joiners, and the bag of 8-pcs #6 Philips screws. Join the three tubes together using the two Roller tube joiners and screws provided. Try turning the joiner around until the screw holes align, insert all screws and tighten snug,

DO NOT OVERTIGHTEN.



Now take the assembled Roller Tube and orient it such that the Square end of the tube is on the same side as your gear mechanism on the wall.

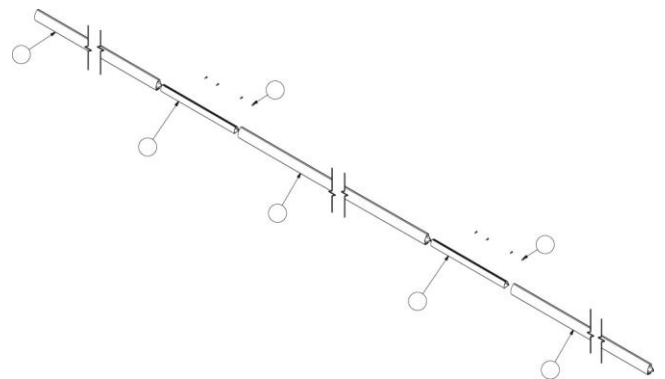
Open the bag / box with your awning fabric, do not cut through the plastic or card board as you may cut the fabric. Open the fabric up, and locate the open ends sewn into the fabric. Orient the fabric to the hem is facing down. Locate the 6mm diameter Plastic Spline and insert it through the open ends of the Fabric allowing it to hang out each end of the fabric evenly. Insert a Spline the same way on the other side of the fabric. With some assistance slide the Spline and the fabric into the channels on one end of the Roller tube, carefully slide the fabric into the channel, be sure not to damage the fabric on the ends of the aluminum tube ends. Centre the fabric on the Roller tube, the roller tube should be approximately 5cm on each end of the fabric. Now with assistance rotate the roller tube evenly to roll the fabric around the tube over the top until it's almost completely rolled around the tube.



12. ASSEMBLY OF VALANCE TUBE & FABRIC:

Remove the three Valance tubes from the box (remove them from their protective plastic wrap), two will have holes drilled only on one end; one will have holes drilled on each end, this is the centre Valance tube. Orient the tubes such that the drilled holes in the back of the Valance tubes are positioned at the joint. Locate the two Valance Tube Joiners and #6 Philips screws provided. Insert the Joiner into the open end of one of the Valance Tubes, align the holes and insert two screws and tighten snug, **DO NOT OVERTIGHTEN.**

Insert the other Valance Tube over the exposed end of the Valance Tube Joiner and using the remaining #6 Philips Head screws insert the screws and tighten snug, **DO NOT OVERTIGHTEN.** Repeat until the entire Valance tube is assembled.



In the same manner as you install the fabric in the ROLLER TUBE, repeat this process to install the Awning Fabric in the Top Channel of the Valance tube as Shown in the photo to the right.

Install the Fabric Valance

Locate the Fabric Valance, and insert a 6mm plastic Spline in its open channel, as you did with the main fabric. Insert the Spline and fabric in the lower channel on the Valance tube as shown in the photo to the right.



13. INSTALL POSITION POLES, WRIST ASSEMBLIES, & LEVEL:

Locate the bag labeled MISC.PARTS; remove the 2-Position Poles, 2-Wrist Assemblies, and the Level.

Slide each of the items into the bottom channel of the Valance tube in the following order:

1. Slide the Level in a position just to one side of the joint in the VALANCE TUBE; tighten the Phillips head screw to secure in place.
2. On one end of the VALANCE TUBE first slide in a POSITION POLE, followed by a WRIST ASSEMBLY.
3. From the opposite end of the VALANCE TUBE first slide in a POSITION POLE, followed by a WRIST ASSEMBLY.

There is a POSITION Pole for each side of the awning which is intended to keep the awning from being retracted too far which could damage the product. Each POSITION POLE should be positioned approximately 24-in (610mm) from the centre of the fully assembled valance tube.



The WRIST ASSEMBLIES, will each be positioned approximately as follows: With standard Left Side Crank Operation: 17.00-in (432mm) from the left end of the valance tube; and 18.50-in (470mm) from the right end. If you choose to switch to Right side Operation as outlined in this guide, switch the Wrist Pin placement dimensions above from right to left. Once the Awning is fully assembled the position of the Wrist Pin may require re-positioning to; this is addressed in the ADJUSTMENT & FINE TUNING OF THE AWNING later in this guide.

With the LEFT and RIGHT Side Wrist Assemblies now positioned, tighten the Philips screws on the bottom of each Wrist Assembly to secure it in place.



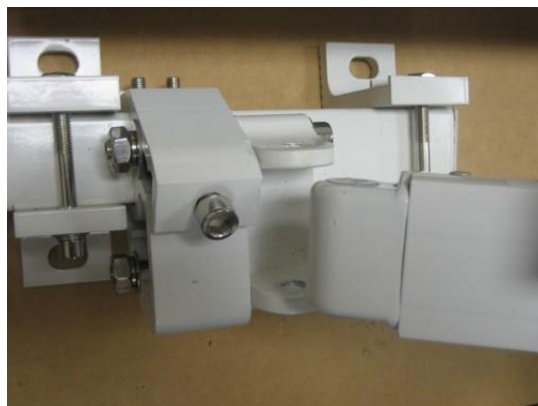
WARNING:

DO NOT CUT THE PLASTIC ZIP TIES ON THE AWNING EXTENSION ARMS UNTIL INSTRUCTED TO DO SO IN THIS GUIDE. THE FOLDING ARMS ARE UNDER SPRING TENSION AND SHOULD NOT BE CUT UNTIL THE AWNING IS FULLY ASSEMBLED AND INSTALLED ON THE WALL.

14. INSTALL EXTENSION ARMS:

Locate the box that is labeled LEFT and RIGHT Extension Arms. Carefully open the box and find the LEFT and the RIGHT Extension Arm. Each arm is Labeled LEFT and RIGHT, and each or them indicates TOP, meaning that top should face upwards when installing the part.

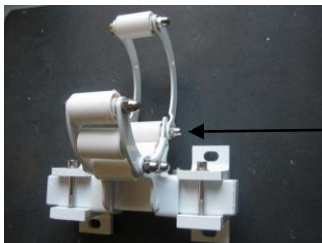
Remove the EXTENSION ARM Pivot Bolt on the LEFT BRACKET ASSEMBLY. Insert the large end of the LEFT Extension Arm ensuring that the side labeled TOP is facing upwards. Fit the RIGHT EXTENSION ARM in the open bracket and align the holes. You may require a mallet to get the Extension Arm in to the bracket, insert the Pivot bolt from the top and hold the cap nut at the bottom of the bracket. This joint has a very tight fit, as such you will need to use a 10mm Allen Key a screw the bolt into the Hex nut, once the bolt catches the threads it will tighten well. This bolt needs to be very tight but not so tight



that it can not swing. Repeat this step on the RIGHT BRACKET ASSEMBLY and install the RIGHT EXTENSION ARM.

14.1 INSTALL ROLLER TUBE AND VALANCE TUBE WITH FABRIC:

Loosen the pivot bolt on the back side of the Centre Support Bracket, this will allow the top portion of the Bracket to open which will allow the Roller Tube to fit inside the Bracket. Insert the Square Drive end to the roller tube into the Gear Mechanism. You will need to loosen the opposite Roller Tube Support Bracket such that the opposite end of the Roller Tube can be inserted into the



Pivot Bolt,
Bracket is shown open



Roller Support with the Plastic Bushing. Once the Roller Tube is supported at both its ends retighten the Roller support bracket that was previously loosened. Lower the top portion of the Centre Support Bracket so that is just above the fabric. It should not touch the fabric as this may cause the fabric to fold when it is being rolled in and out.

15. ATTACH THE VALANCE TUBE TO THE EXTENSION ARMS:

Remove the Nylon Hex Nut From the two WRIST ASSEMBLIES already installed in the VALANCE TUBE, and drop the Wrist Pin bolt down through the open ends on each of the Extension Arms. Use an 18mm Socket / Wrench or adjustable wrench to tighten the Nylon Hex Nuts back on to the Wrist Pin Bolts. Tight snug and then loosen a quarter turn, to allow for unrestricted movement.

16. TIGHTEN THE FABRIC:

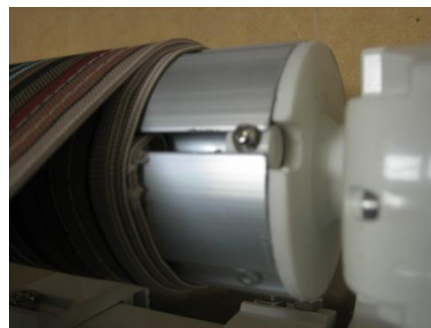
Locate the Manual Crank handle, and hook it into the loop on the gear mechanism, turn counter clockwise to roll the fabric around the Roller tube and remove any slack in the fabric.

YOU MAY NOW CUT THE PLASTIC ZIP TIES ON EACH OF THE EXTENSION ARMS, THEY SHOULD IMMEDIATELY PUSH OUTWARD AND TAKE ANY ADDITIONAL SLACK OUT OF THE FABRIC.

17. INSTALL SPLINE STOPS & VALANCE TUBE END CAPS

We recommend that you go through the Adjustment and Fine Tuning of your Awning before completing step 17, however when complete, finish your installation as follows:

- Cut any excess SPLINE an additional ½" (12.7mm), on both end of the ROLLER TUBE and VALANCE TUBE, such that the SPLINE STOPS can be installed in the end of each channel, then tighten the phillips head screw to secure in place.
- Slide the Right and Left Side VALANCE TUBE END CAPS over each end of the VALANCE TUBE.

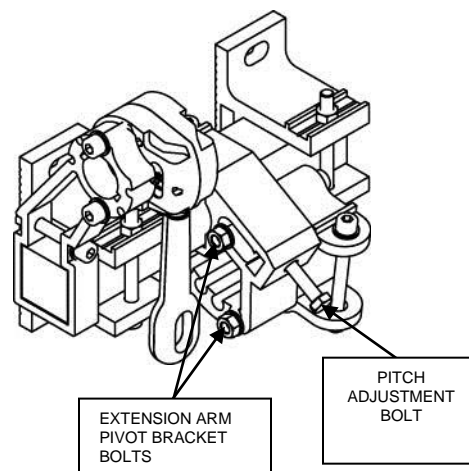


18. ADJUSTMENT & FINE TUNING OF THE AWNING:

Every Awning will require minor adjustment to operate correctly. The following section will walk you through the minor adjustments required to make you awning operate correctly:

Pitch Adjustment:

If the pitch is set much different on each end it will be difficult to make other adjustments, therefore, ensure that the EXTENSION ARM PIVOT Bracket is mounted in the same hole on the LEFT and RIGHT Side Brackets. Pivot adjustment can be achieved by loosening the EXTENSION ARM PIVOT BRACKET BOLTS, and then using the PITCH ADJUSTMENT BOLT screw you can position the awning pitch equally on the right and left sides. Once you've reach your pitch preference, you must retighten the EXTENSION ARM PIVOT BRACKET BOLTS.



Fabric Roll:

The following is the most common adjustment and will be necessary to ensure the awning opens and closes properly as well as ensuring the fabric rolls around the roller tube evenly. Insert your Crank Handle in the Gear Mechanism Loop; turn counter clockwise the fabric will release and the awning will roll out. Once you get the fabric out, roll it back in. You want to be watching for the following:

- The RIGHT and LEFT Extension arms are operating equally, in other word the elbow (or centre joint) in each Extension arm should be opening and closing equally.

See image below, shows an awning opening only about half way, and see how the awning arms are positioned in relation to each other. You want the Extension Arms opening and closing as close to evenly as possible also shown in the diagram below.

Adjustment of this is quite simple;

To move the elbow of either Extension arm more outward you will move the Wrist Assembly (which holds the end of the Extension Arm farther towards the end of the Valance Tube; And you will move the Wrist Assembly farther toward s the Centre of the Valance Tube to move the elbow (or centre joint) of either Extension Arm towards the wall.

IN-CORRECT**CORRECT****To make this adjustment:**

While the Awning is rolled out, loosen the Philips head Screws on the bottom of the Wrist Pin Assembly (shown in the photos to the right; DO NOT COMPLETELY REMOVE THESE SCREWS. You can slide the Wrist Pin in either direction (as required) within the channel on the bottom of the Valance Tube. Be careful to ensure that you maintain even alignment of the end of the Valance Tube and the Roller Tube While Making this adjustment. By moving the Wrist Assembly toward the outside ends of the VALANCE TUBE you will move the EXTENSION ARM Elbow farther out from the wall; and closer to the wall if you move the Wrist Assembly toward the centre of the VALANCE TUBE.



Roll your awning in and out a few times making small adjustments until it operates correctly and smoothly. Once complete, while the Awning is out, re-tighten the Philips head screws on the bottom of the Wrist Assemblies.

Should you still have any problems that you can not rectify, please call our customer service department at 1-888-875-4844. We also have a Q&A section on our website at www.valor.ca/awnings which may address questions you may have.

Thank you.